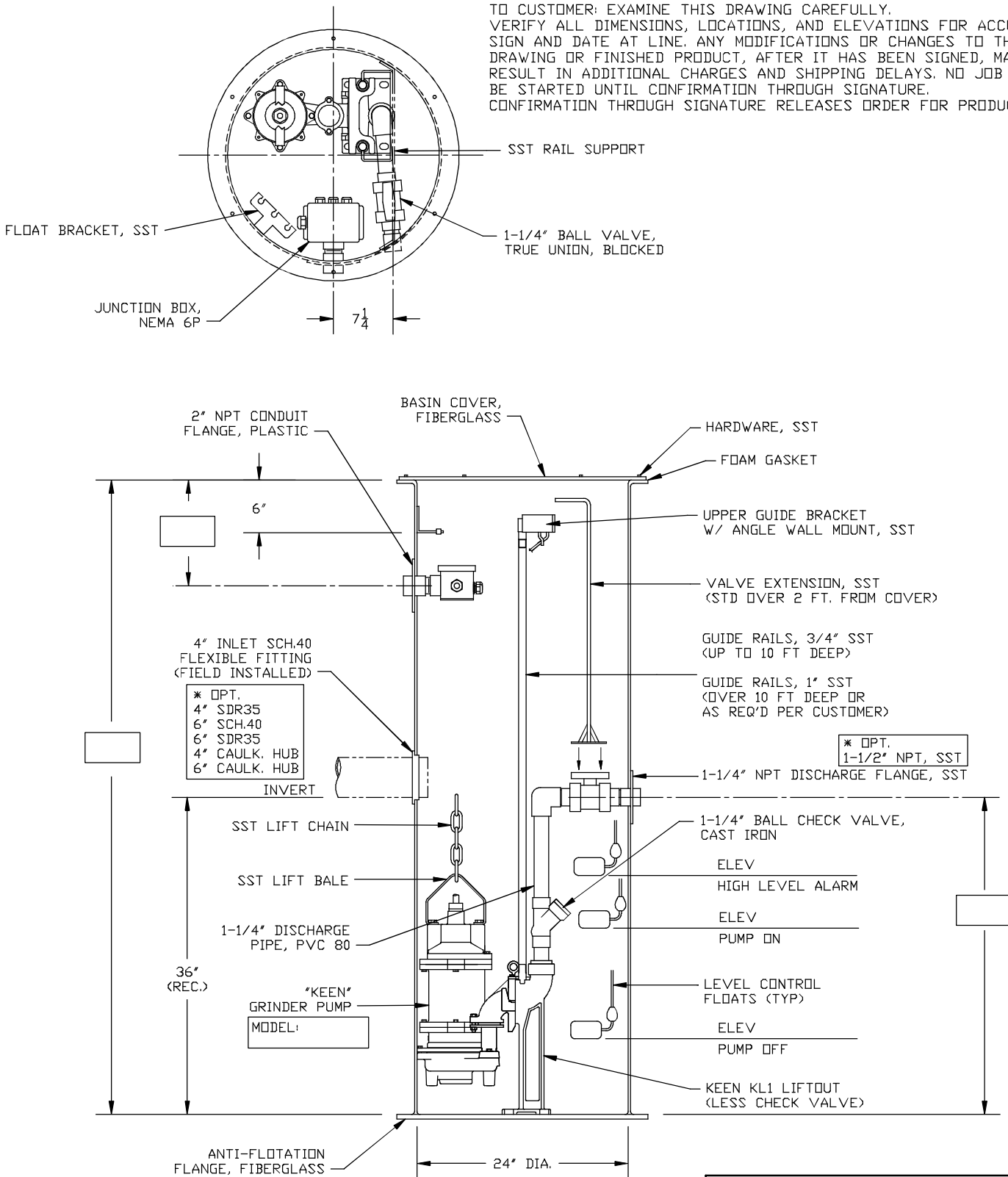


2HP GRINDER 24' BASIN KL1 FG COVER (REF ONLY)

APPROVED BY: _____

DATE: _____

TO CUSTOMER: EXAMINE THIS DRAWING CAREFULLY. VERIFY ALL DIMENSIONS, LOCATIONS, AND ELEVATIONS FOR ACCURACY. SIGN AND DATE AT LINE. ANY MODIFICATIONS OR CHANGES TO THIS DRAWING OR FINISHED PRODUCT, AFTER IT HAS BEEN SIGNED, MAY RESULT IN ADDITIONAL CHARGES AND SHIPPING DELAYS. NO JOB WILL BE STARTED UNTIL CONFIRMATION THROUGH SIGNATURE. CONFIRMATION THROUGH SIGNATURE RELEASES ORDER FOR PRODUCTION.



NOTE: ALL DIMENSIONS FOR REFERENCE ONLY

A	DLM	EC014-042, 10-29-14
REV	INITIALS	DATE

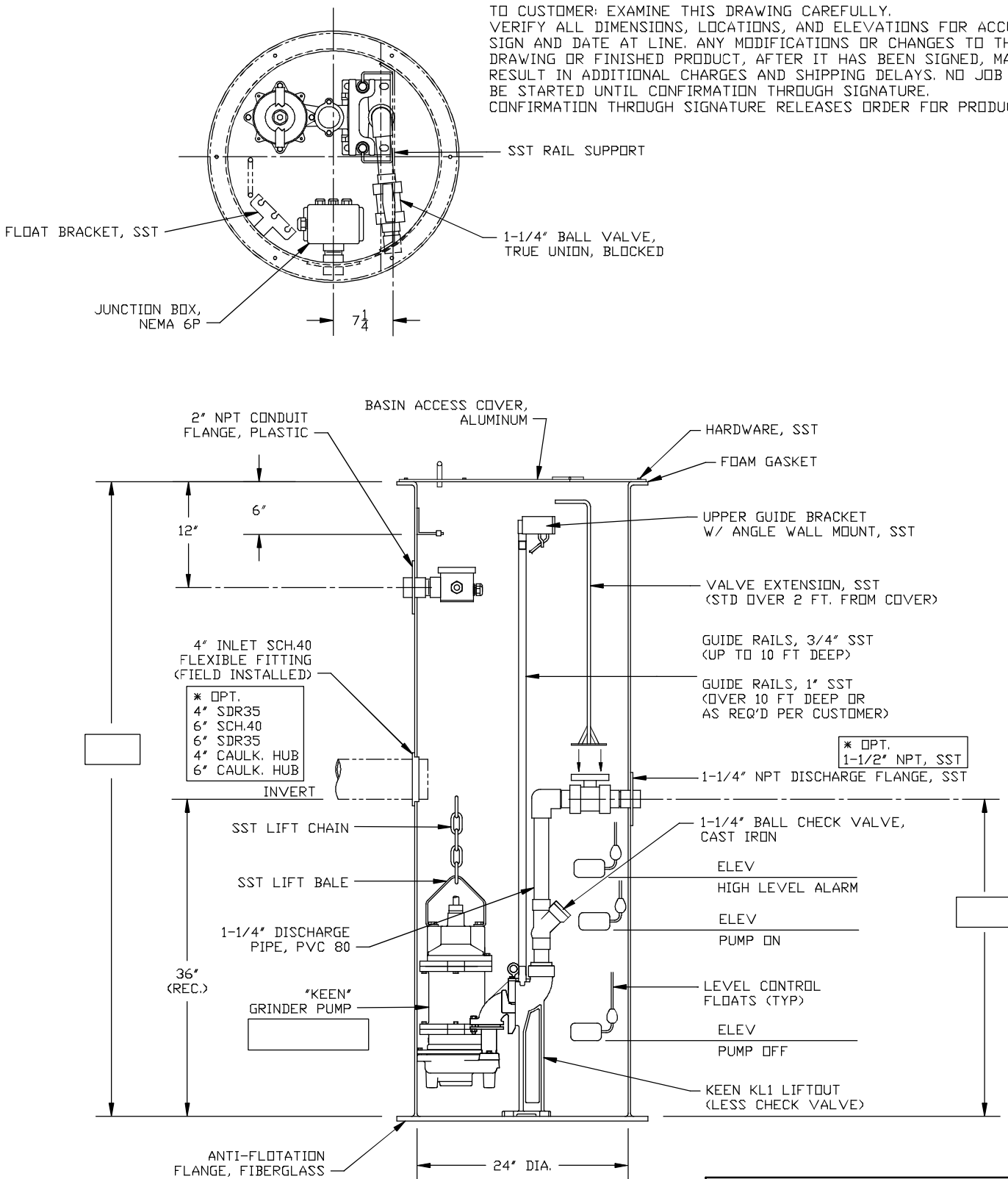
		KEEN PUMP CO. 471E ST. ROUTE 250 EAST ASHLAND, OHIO 44805	PHONE: 419-207-9400 FAX: 419-207-8031
TITLE BASIN ASSY; 24'DIA., ALL 1&2HP GR., SIM, KLI, FG COVER			
SCALE		DWG. #	REV.
NTS		KN-644	A
DWG. BY	DATE		
S. ETZEL	01/27/11		

2HP GRINDER 24" BASIN KL1 ALUM COVER (REF ONLY)

APPROVED BY: _____

DATE: _____

TO CUSTOMER: EXAMINE THIS DRAWING CAREFULLY. VERIFY ALL DIMENSIONS, LOCATIONS, AND ELEVATIONS FOR ACCURACY. SIGN AND DATE AT LINE. ANY MODIFICATIONS OR CHANGES TO THIS DRAWING OR FINISHED PRODUCT, AFTER IT HAS BEEN SIGNED, MAY RESULT IN ADDITIONAL CHARGES AND SHIPPING DELAYS. NO JOB WILL BE STARTED UNTIL CONFIRMATION THROUGH SIGNATURE. CONFIRMATION THROUGH SIGNATURE RELEASES ORDER FOR PRODUCTION.



NOTE: ALL DIMENSIONS FOR REFERENCE ONLY

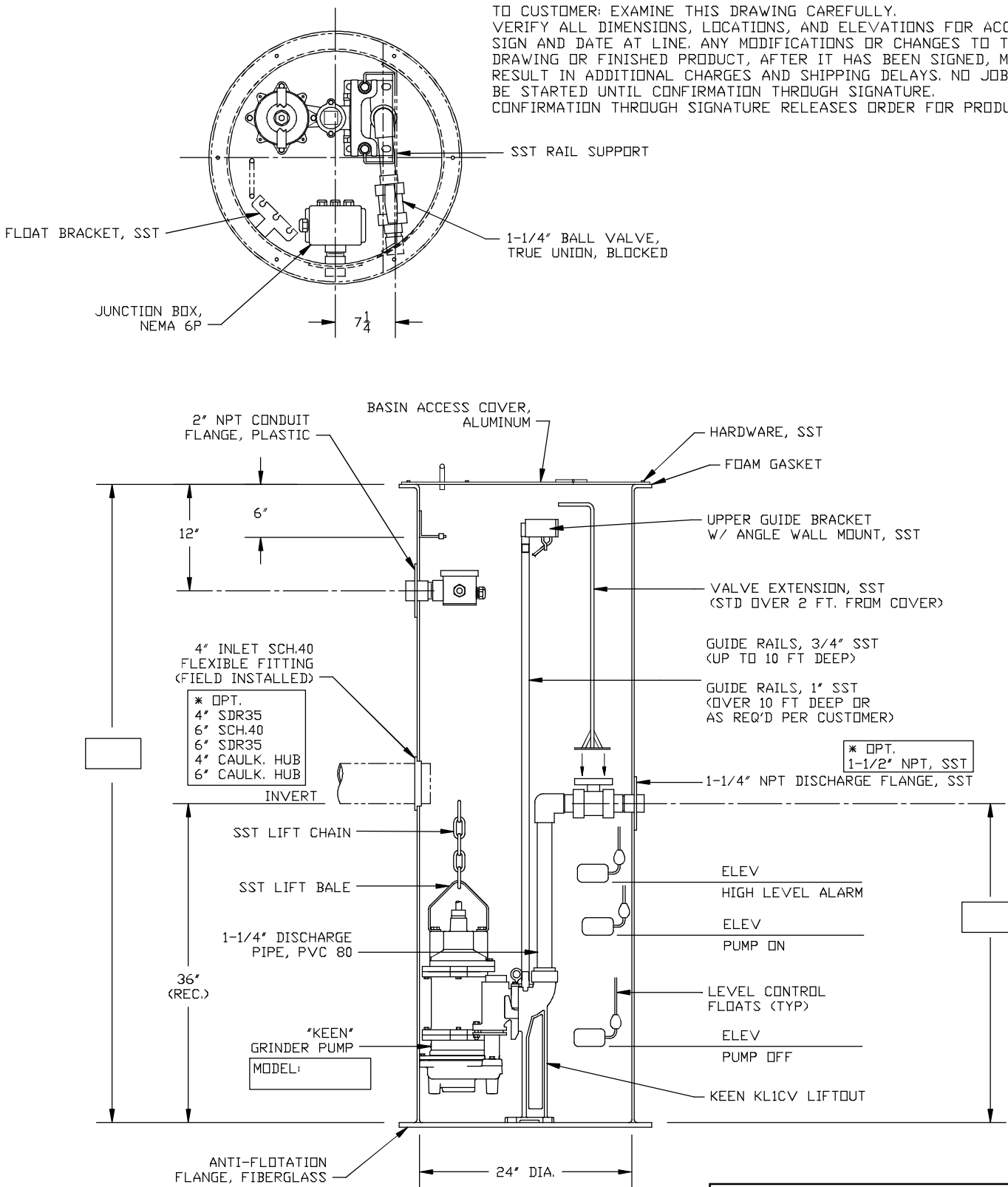
REV	INITIALS	DATE

		KEEN PUMP CO. 471E ST. ROUTE 250 EAST ASHLAND, OHIO 44805	PHONE: 419-207-9400 FAX: 419-207-8031
TITLE BASIN ASSY; 24" DIA, ALL 1&2HP GR., SIM, KL1, ALUM ACCESS CVR.			
SCALE		DWG. #	REV.
NTS		KN-672	-
DWG. BY	DATE		
S. ETZEL	01/08/13		

2HP GRINDER 24" BASIN KLICV ALUM COVER (REF ONLY)

APPROVED BY: _____
 DATE: _____

TO CUSTOMER: EXAMINE THIS DRAWING CAREFULLY. VERIFY ALL DIMENSIONS, LOCATIONS, AND ELEVATIONS FOR ACCURACY. SIGN AND DATE AT LINE. ANY MODIFICATIONS OR CHANGES TO THIS DRAWING OR FINISHED PRODUCT, AFTER IT HAS BEEN SIGNED, MAY RESULT IN ADDITIONAL CHARGES AND SHIPPING DELAYS. NO JOB WILL BE STARTED UNTIL CONFIRMATION THROUGH SIGNATURE. CONFIRMATION THROUGH SIGNATURE RELEASES ORDER FOR PRODUCTION.



NOTE: ALL DIMENSIONS FOR REFERENCE ONLY

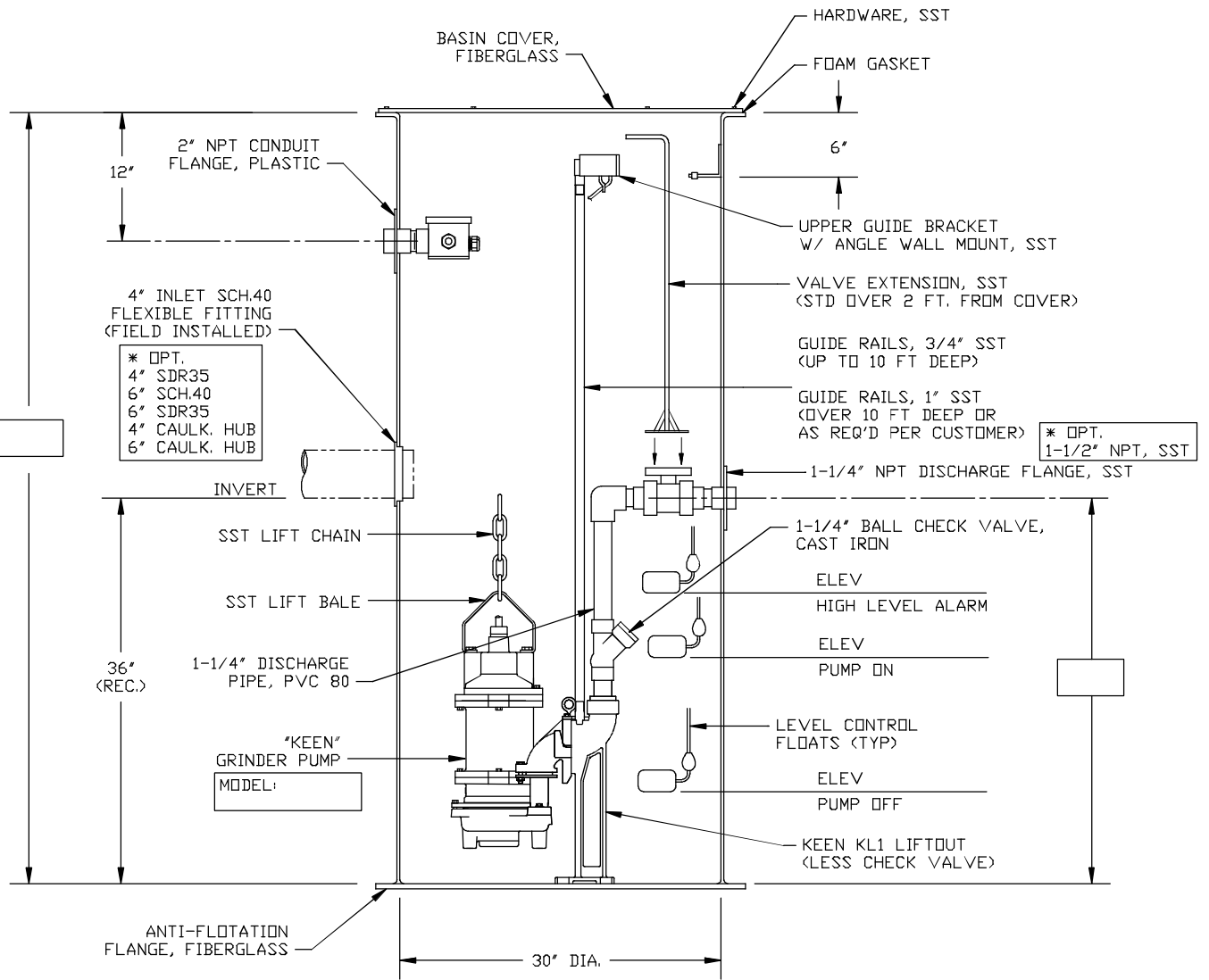
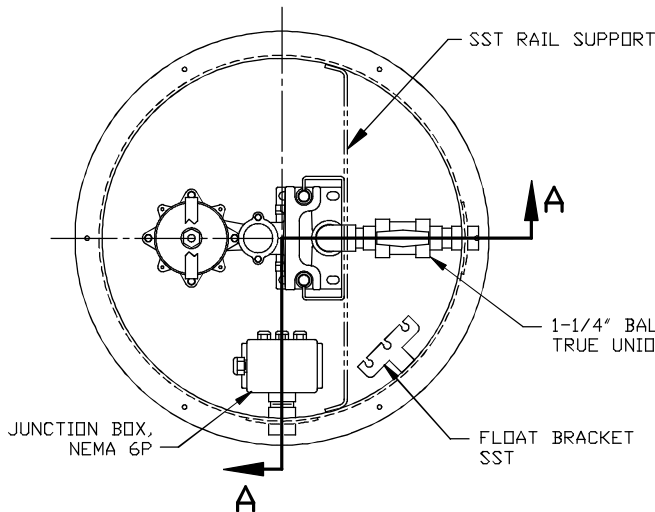
REV	INITIALS	DATE

		KEEN PUMP CO. 471E ST. ROUTE 250 EAST ASHLAND, OHIO 44805	PHONE: 419-207-9400 FAX: 419-207-8031
TITLE: BASIN ASSY; 24" DIA., ALL 1&2HP GR., SIM., KLICV, ALUM. ACCESS CVR			
SCALE: NTS		DWG. #	REV.
DWG. BY: S. ETZEL		DATE: 01/08/13	KN-668

2HP GRINDER 30' BASIN KL1 FG COVER (REF ONLY)

APPROVED BY: _____
 DATE: _____

TO CUSTOMER: EXAMINE THIS DRAWING CAREFULLY. VERIFY ALL DIMENSIONS, LOCATIONS, AND ELEVATIONS FOR ACCURACY. SIGN AND DATE AT LINE. ANY MODIFICATIONS OR CHANGES TO THIS DRAWING OR FINISHED PRODUCT, AFTER IT HAS BEEN SIGNED, MAY RESULT IN ADDITIONAL CHARGES AND SHIPPING DELAYS. NO JOB WILL BE STARTED UNTIL CONFIRMATION THROUGH SIGNATURE. CONFIRMATION THROUGH SIGNATURE RELEASES ORDER FOR PRODUCTION.



SECTION A-A

NOTE: ALL DIMENSIONS FOR REFERENCE ONLY

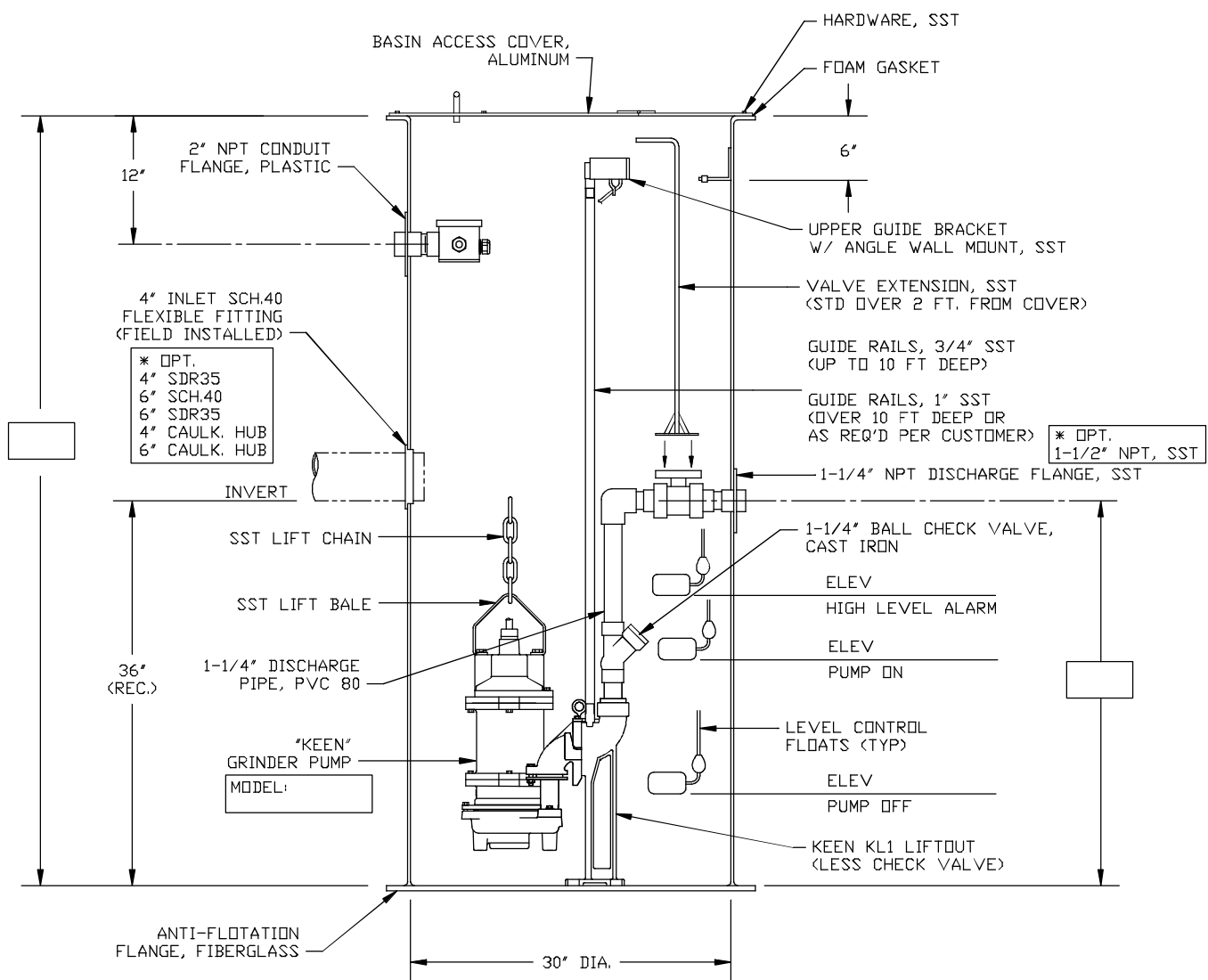
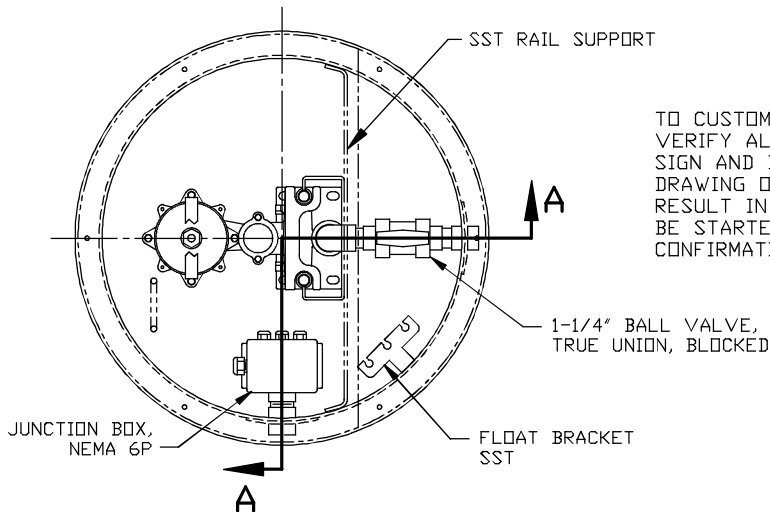
REV	INITIALS	DATE

		KEEN PUMP CO. 471E ST. ROUTE 250 EAST ASHLAND, OHIO 44805	PHONE: 419-207-9400 FAX: 419-207-8031
TITLE: BASIN ASSY; 30\"/>			
SCALE: NTS		DWG. #	REV.
DWG. BY: SE	DATE: 01/02/13	KN-671	-

2HP GRINDER 30" BASIN KL1 ALUM COVER (REF ONLY)

APPROVED BY: _____
 DATE: _____

TO CUSTOMER: EXAMINE THIS DRAWING CAREFULLY. VERIFY ALL DIMENSIONS, LOCATIONS, AND ELEVATIONS FOR ACCURACY. SIGN AND DATE AT LINE. ANY MODIFICATIONS OR CHANGES TO THIS DRAWING OR FINISHED PRODUCT, AFTER IT HAS BEEN SIGNED, MAY RESULT IN ADDITIONAL CHARGES AND SHIPPING DELAYS. NO JOB WILL BE STARTED UNTIL CONFIRMATION THROUGH SIGNATURE. CONFIRMATION THROUGH SIGNATURE RELEASES ORDER FOR PRODUCTION.



SECTION A-A

NOTE: ALL DIMENSIONS FOR REFERENCE ONLY

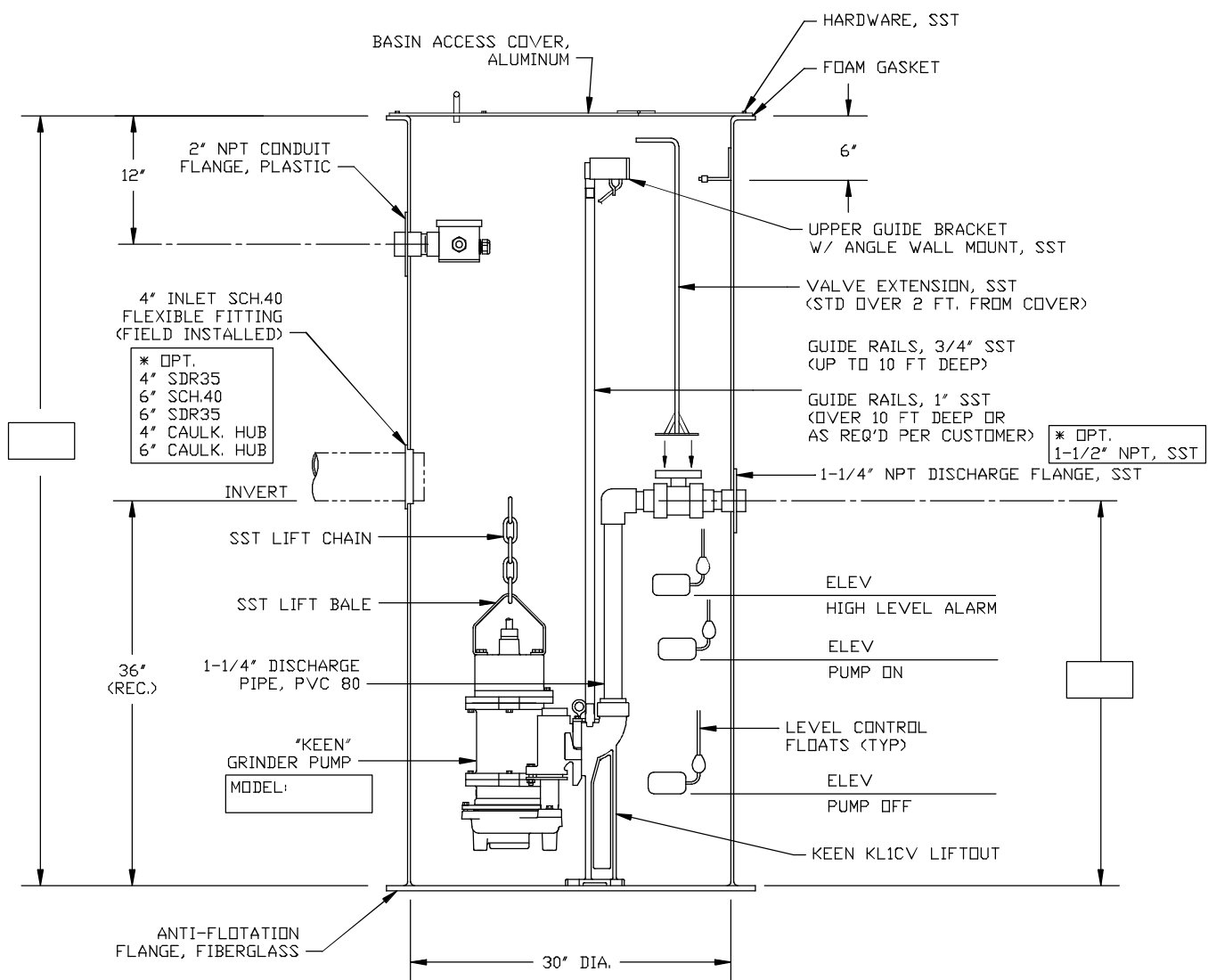
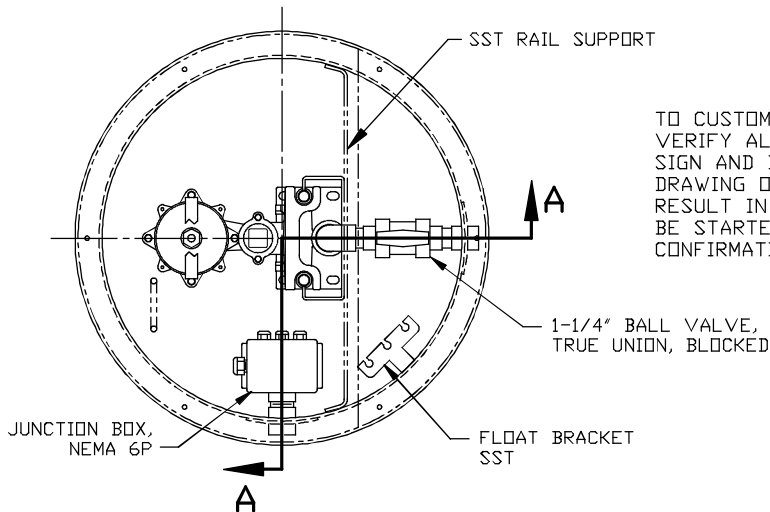
REV	INITIALS	DATE

		KEEN PUMP CO. 471E ST. ROUTE 250 EAST ASHLAND, OHIO 44805		PHONE: 419-207-9400 FAX: 419-207-8031	
TITLE: BASIN ASSY; 30" DIA., ALL 1&2HP GR., SIM., KL1, ALUM. CVR.					
SCALE: NTS			DWG. #		REV.
DWG. BY: SE		DATE: 01/08/13		KN-673	

2HP GRINDER 30" BASIN KL1CV ALUM COVER (REF ONLY)

APPROVED BY: _____
 DATE: _____

TO CUSTOMER: EXAMINE THIS DRAWING CAREFULLY. VERIFY ALL DIMENSIONS, LOCATIONS, AND ELEVATIONS FOR ACCURACY. SIGN AND DATE AT LINE. ANY MODIFICATIONS OR CHANGES TO THIS DRAWING OR FINISHED PRODUCT, AFTER IT HAS BEEN SIGNED, MAY RESULT IN ADDITIONAL CHARGES AND SHIPPING DELAYS. NO JOB WILL BE STARTED UNTIL CONFIRMATION THROUGH SIGNATURE. CONFIRMATION THROUGH SIGNATURE RELEASES ORDER FOR PRODUCTION.



SECTION A-A

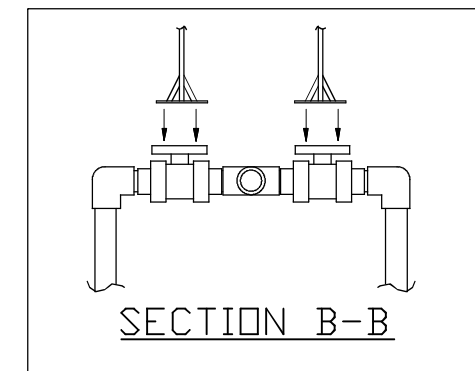
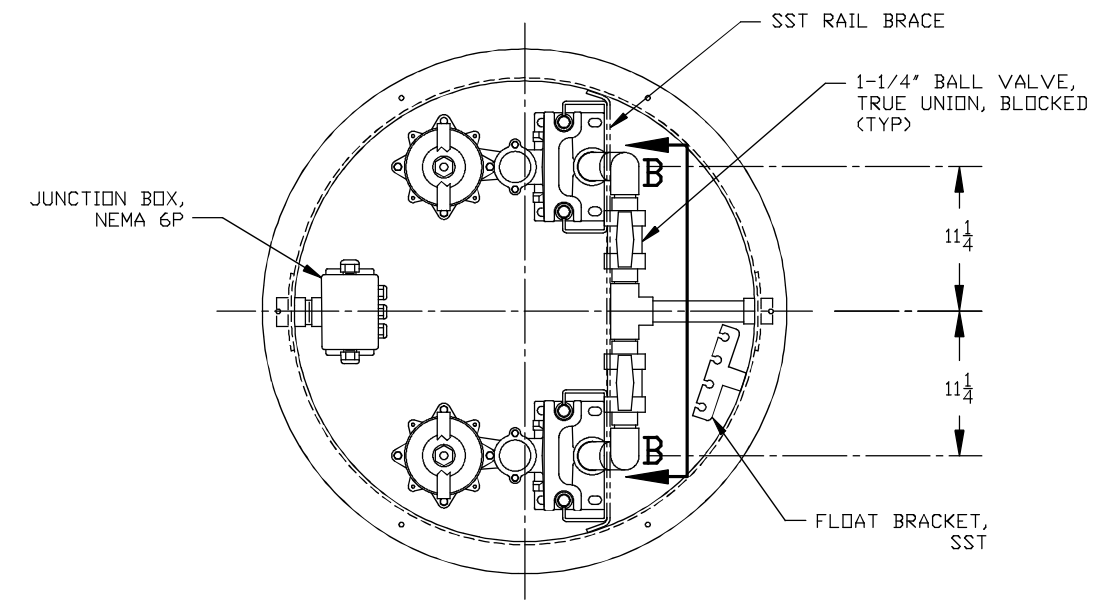
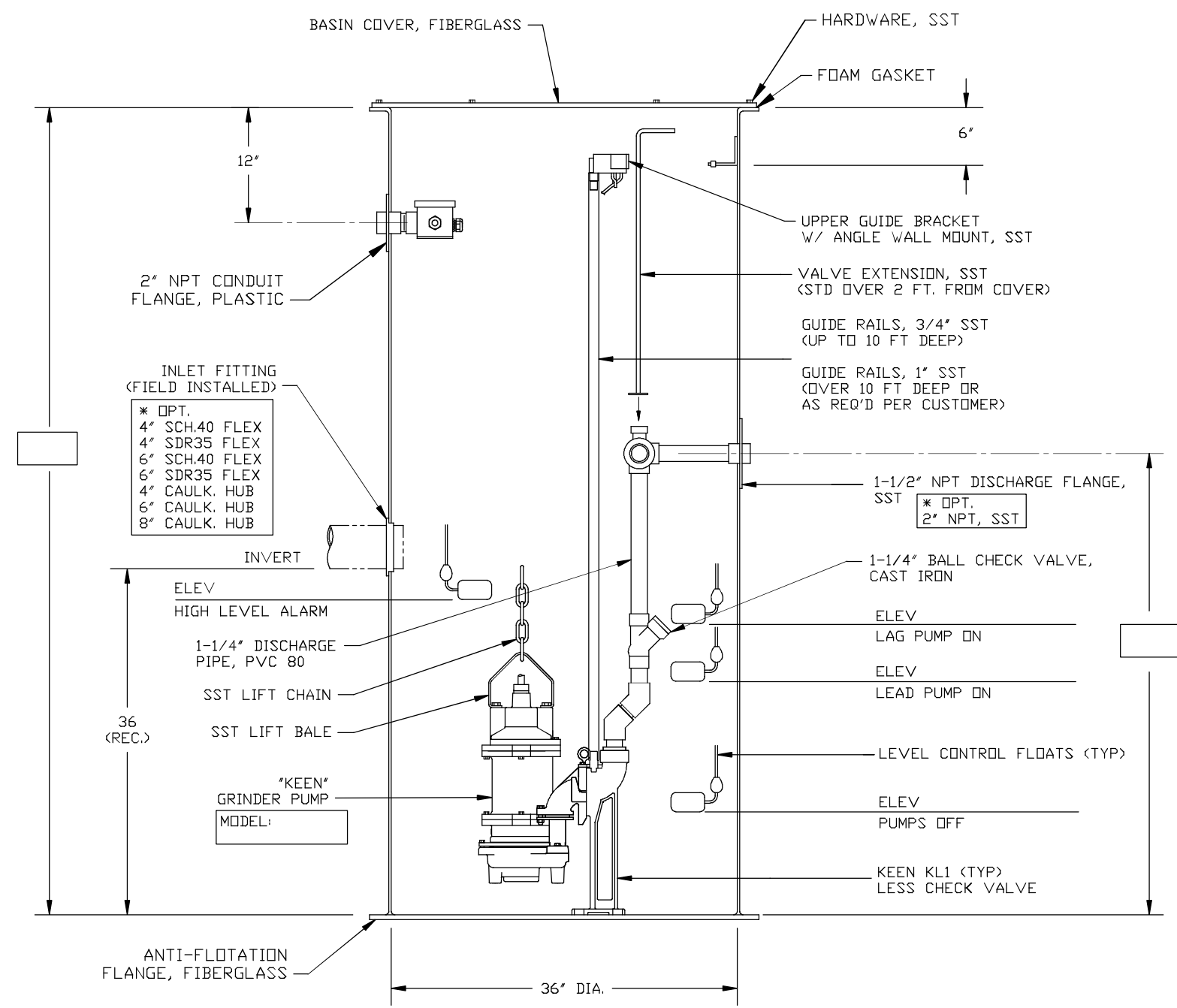
NOTE: ALL DIMENSIONS FOR REFERENCE ONLY

REV	INITIALS	DATE

		KEEN PUMP CO. 471E ST. ROUTE 250 EAST ASHLAND, OHIO 44805		PHONE: 419-207-9400 FAX: 419-207-8031	
TITLE: BASIN ASSY; 30" DIA, ALL 1&2HP GR, SIM, KL1CV, ALUM. ACCESS CVR.					
SCALE: NTS			DWG. #		REV.
DWG. BY: SE		DATE: 01/02/13		KN-669	

APPROVED BY: _____
 DATE: _____

TO CUSTOMER: EXAMINE THIS DRAWING CAREFULLY. VERIFY ALL DIMENSIONS, LOCATIONS, AND ELEVATIONS FOR ACCURACY. SIGN AND DATE AT LINE. ANY MODIFICATIONS OR CHANGES TO THIS DRAWING OR FINISHED PRODUCT, AFTER IT HAS BEEN SIGNED, MAY RESULT IN ADDITIONAL CHARGES AND SHIPPING DELAYS. NO JOB WILL BE STARTED UNTIL CONFIRMATION THROUGH SIGNATURE. CONFIRMATION THROUGH SIGNATURE RELEASES ORDER FOR PRODUCTION.



- INLET FITTING
(FIELD INSTALLED)
- * OPT.
 - 4" SCH.40 FLEX
 - 4" SDR35 FLEX
 - 6" SCH.40 FLEX
 - 6" SDR35 FLEX
 - 4" CAULK. HUB
 - 6" CAULK. HUB
 - 8" CAULK. HUB

NOTE: ALL DIMENSIONS FOR REFERENCE ONLY

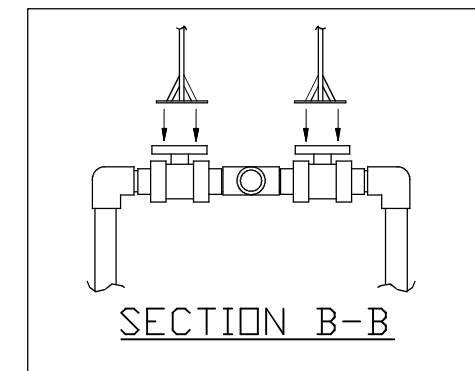
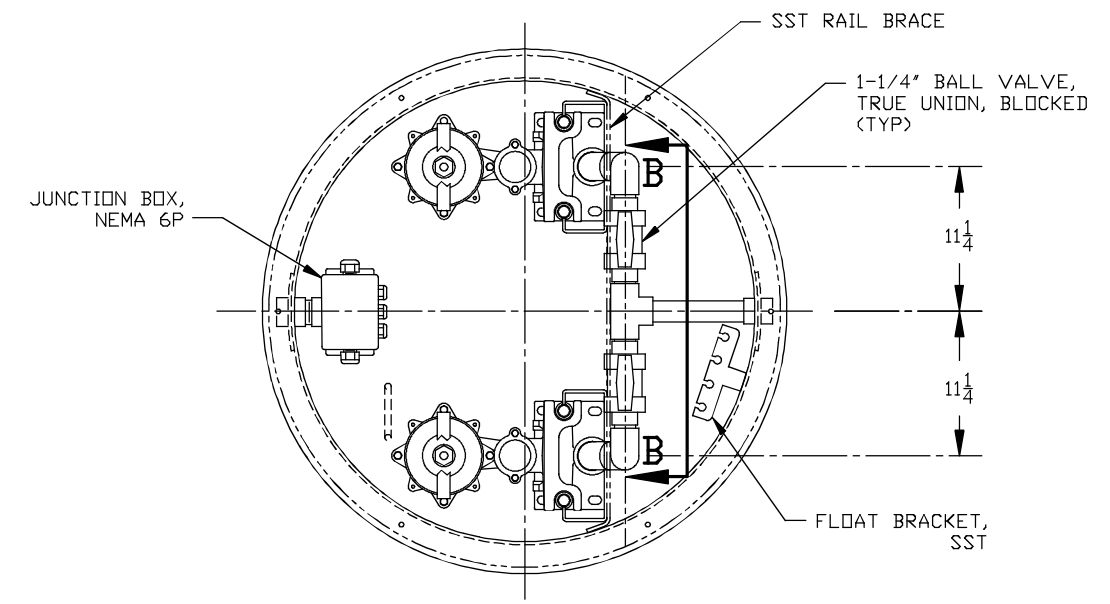
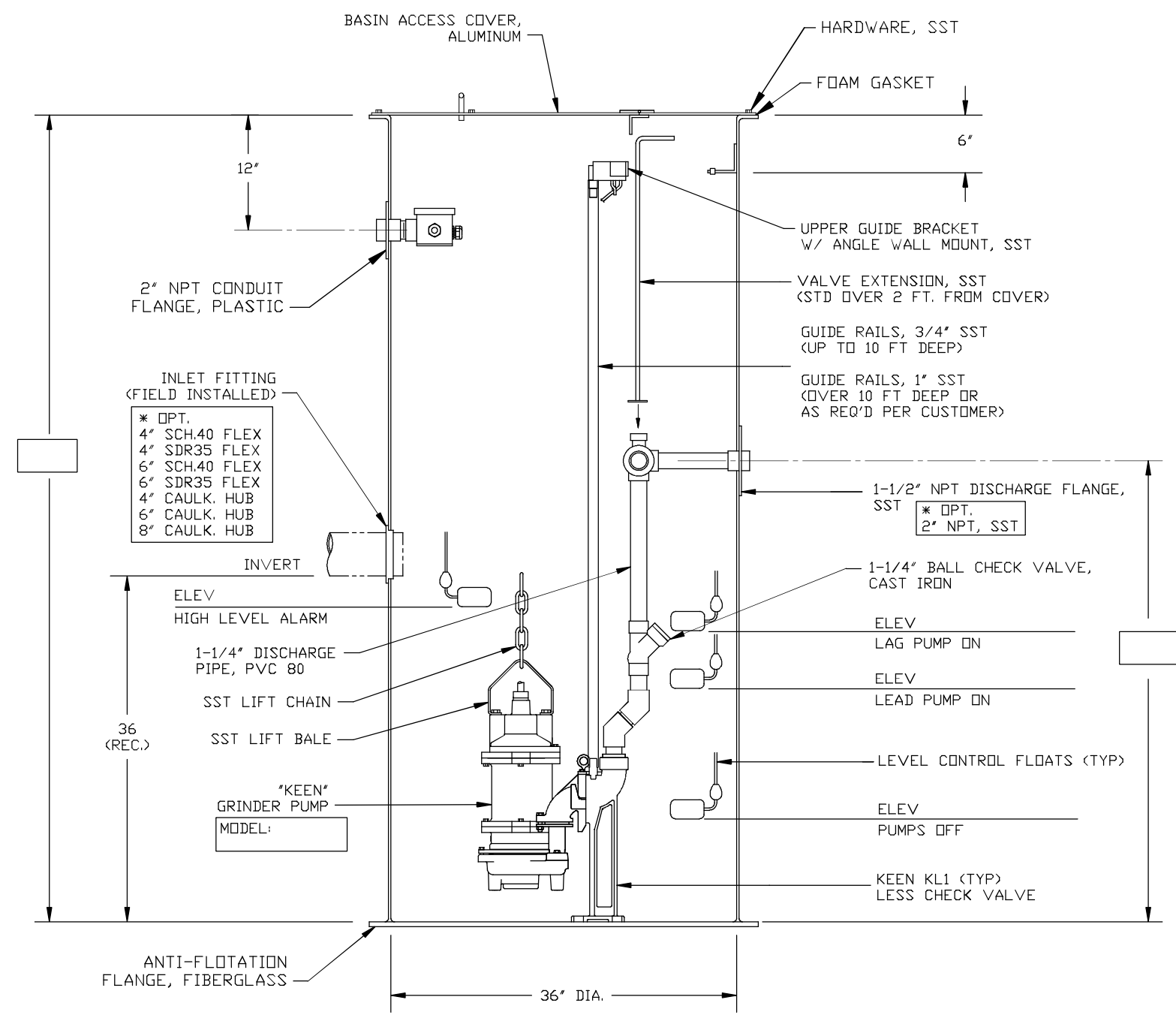
REV	INITIALS	DATE

		KEEN PUMP CO. 471E ST. ROUTE 250 EAST ASHLAND, OHIO 44805		PHONE: 419-207-9400 FAX: 419-207-8031
TITLE BASIN ASSY;36"DIA., ALL 1&2HP GR., DUP., KL1, FG. COVER				
SCALE NTS		DWG. # KN-675		REV. -
DWG. BY SE	DATE 01/08/13			

2HP GRINDER 36" BASIN (DUPLX) KL1 FG COVER (REF ONLY)

APPROVED BY: _____
 DATE: _____

TO CUSTOMER: EXAMINE THIS DRAWING CAREFULLY. VERIFY ALL DIMENSIONS, LOCATIONS, AND ELEVATIONS FOR ACCURACY. SIGN AND DATE AT LINE. ANY MODIFICATIONS OR CHANGES TO THIS DRAWING OR FINISHED PRODUCT, AFTER IT HAS BEEN SIGNED, MAY RESULT IN ADDITIONAL CHARGES AND SHIPPING DELAYS. NO JOB WILL BE STARTED UNTIL CONFIRMATION THROUGH SIGNATURE. CONFIRMATION THROUGH SIGNATURE RELEASES ORDER FOR PRODUCTION.



- INLET FITTING
(FIELD INSTALLED)
- * OPT.
 - 4" SCH.40 FLEX
 - 4" SDR35 FLEX
 - 6" SCH.40 FLEX
 - 6" SDR35 FLEX
 - 4" CAULK. HUB
 - 6" CAULK. HUB
 - 8" CAULK. HUB

- * OPT.
2" NPT, SST

"KEEN"
GRINDER PUMP
MODEL:

NOTE: ALL DIMENSIONS FOR REFERENCE ONLY

REV	INITIALS	DATE

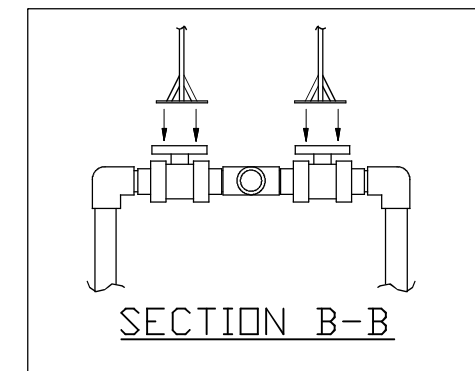
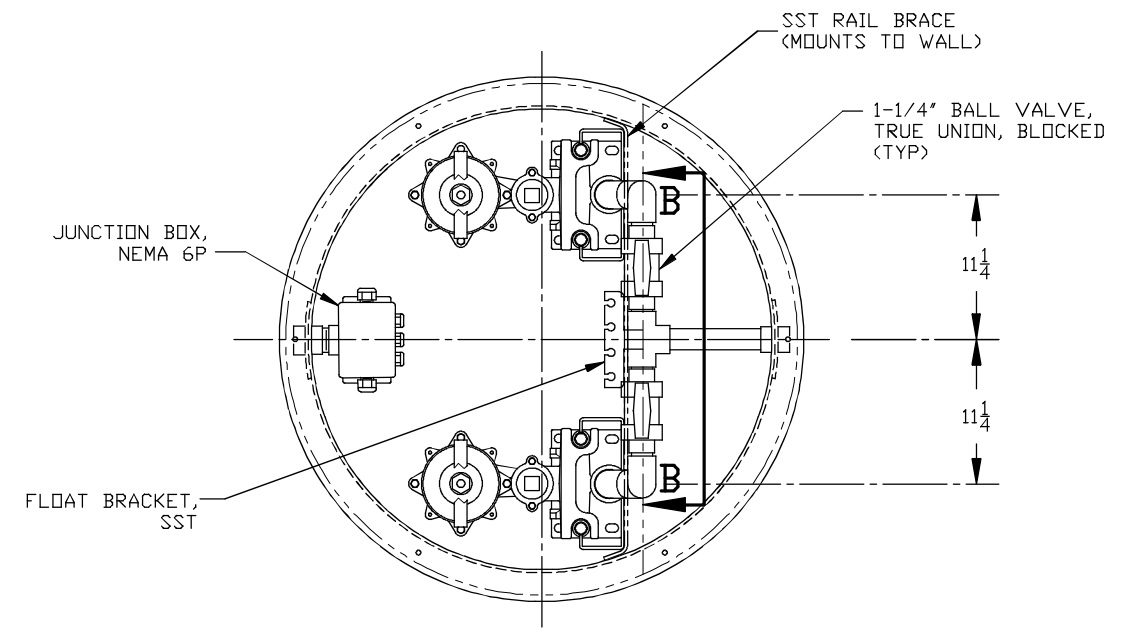
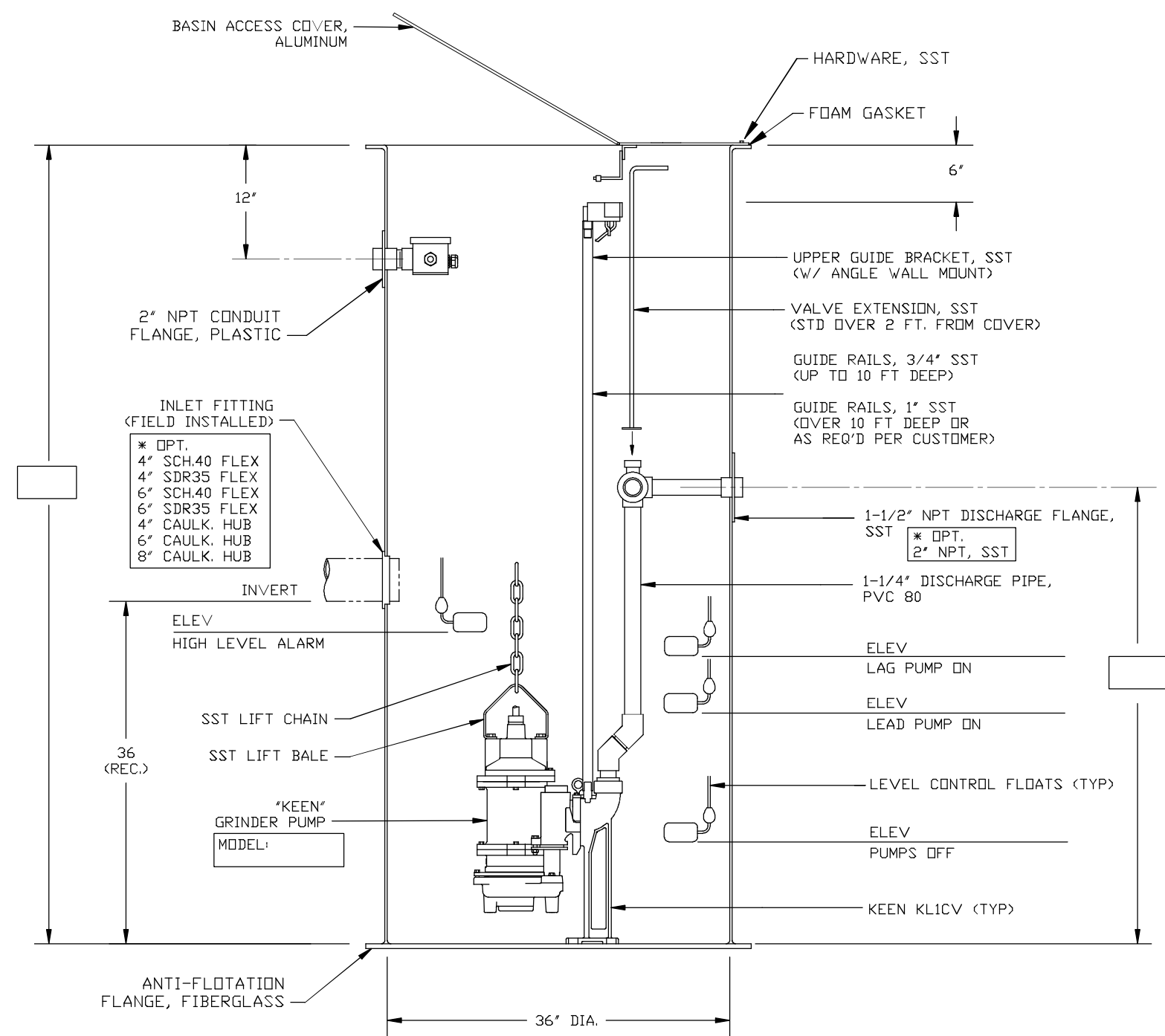
KEEN PUMP COMPANY KEEN PUMP CO.
 471E ST. ROUTE 250 EAST PHONE: 419-207-9400
 ASHLAND, OHIO 44805 FAX: 419-207-8031

TITLE BASIN ASSY;36"DIA., ALL 1&2HP GR., DUP., KL1, ALUM. COVER		
SCALE NTS	DWG. # KN-676	REV. -
DWG. BY SE	DATE 01/08/13	

2HP GRINDER 36" BASIN (DUPEX) KL1 ALUM COVER (REF ONLY)

APPROVED BY: _____
 DATE: _____

TO CUSTOMER: EXAMINE THIS DRAWING CAREFULLY. VERIFY ALL DIMENSIONS, LOCATIONS, AND ELEVATIONS FOR ACCURACY. SIGN AND DATE AT LINE. ANY MODIFICATIONS OR CHANGES TO THIS DRAWING OR FINISHED PRODUCT, AFTER IT HAS BEEN SIGNED, MAY RESULT IN ADDITIONAL CHARGES AND SHIPPING DELAYS. NO JOB WILL BE STARTED UNTIL CONFIRMATION THROUGH SIGNATURE. CONFIRMATION THROUGH SIGNATURE RELEASES ORDER FOR PRODUCTION.



NOTE: ALL DIMENSIONS FOR REFERENCE ONLY

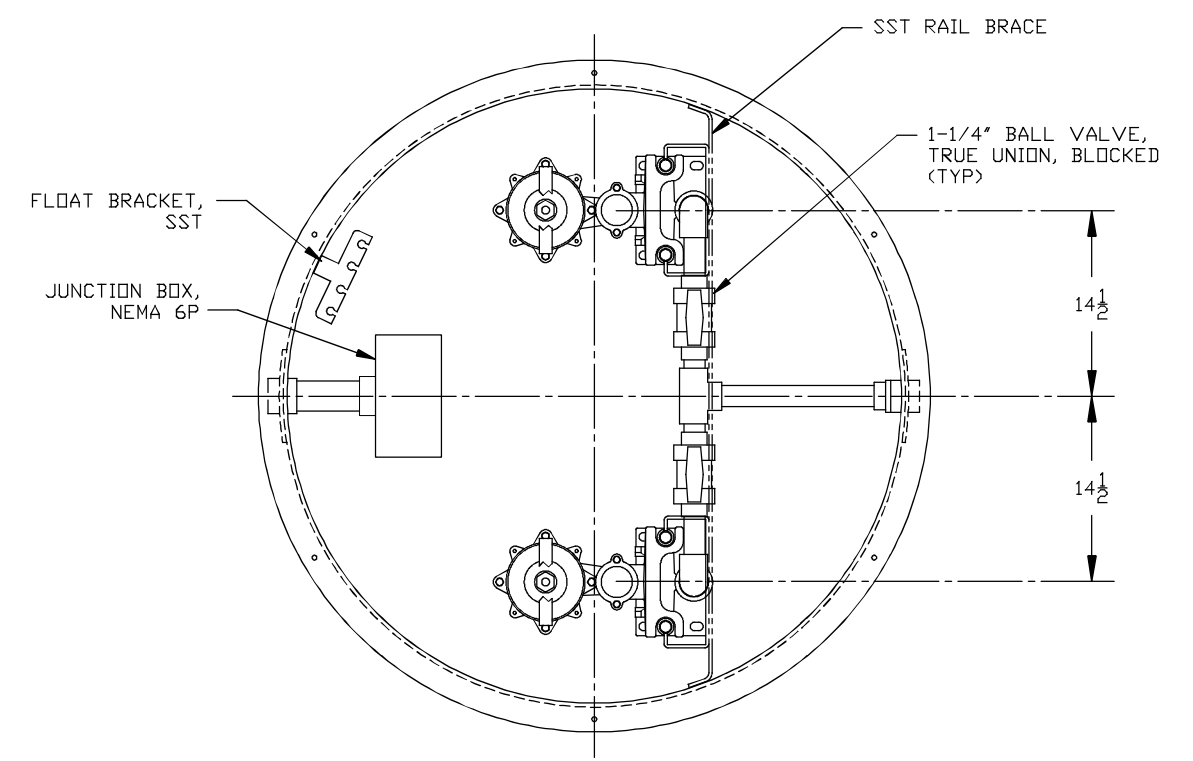
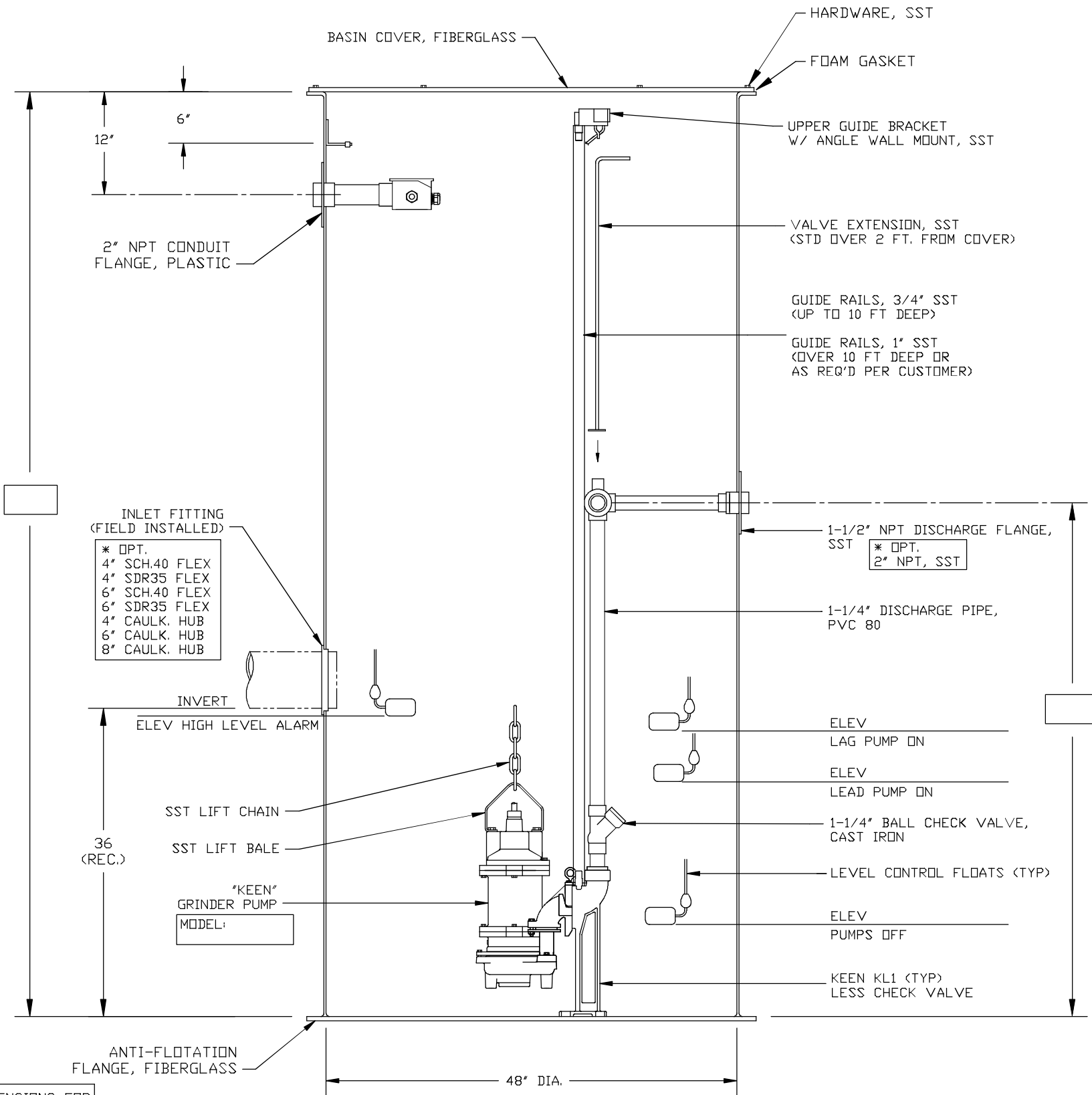
REV	INITIALS	DATE

		KEEN PUMP CO. 471E ST. ROUTE 250 EAST ASHLAND, OHIO 44805		PHONE: 419-207-9400 FAX: 419-207-8031
TITLE BASIN ASSY;36" DIA., ALL 1&2HP GR., DUP., KL1CV, ALUM. CVR				
SCALE NTS		DWG. # KN-467		REV. -
DWG. BY SE	DATE 1/16/2012			

2HP GRINDER 36" BASIN (DUPLX) KL1CV ALUM COVER (REF ONLY)

APPROVED BY: _____
 DATE: _____

TO CUSTOMER: EXAMINE THIS DRAWING CAREFULLY. VERIFY ALL DIMENSIONS, LOCATIONS, AND ELEVATIONS FOR ACCURACY. SIGN AND DATE AT LINE. ANY MODIFICATIONS OR CHANGES TO THIS DRAWING OR FINISHED PRODUCT, AFTER IT HAS BEEN SIGNED, MAY RESULT IN ADDITIONAL CHARGES AND SHIPPING DELAYS. NO JOB WILL BE STARTED UNTIL CONFIRMATION THROUGH SIGNATURE. CONFIRMATION THROUGH SIGNATURE RELEASES ORDER FOR PRODUCTION.



NOTE: ALL DIMENSIONS FOR REFERENCE ONLY

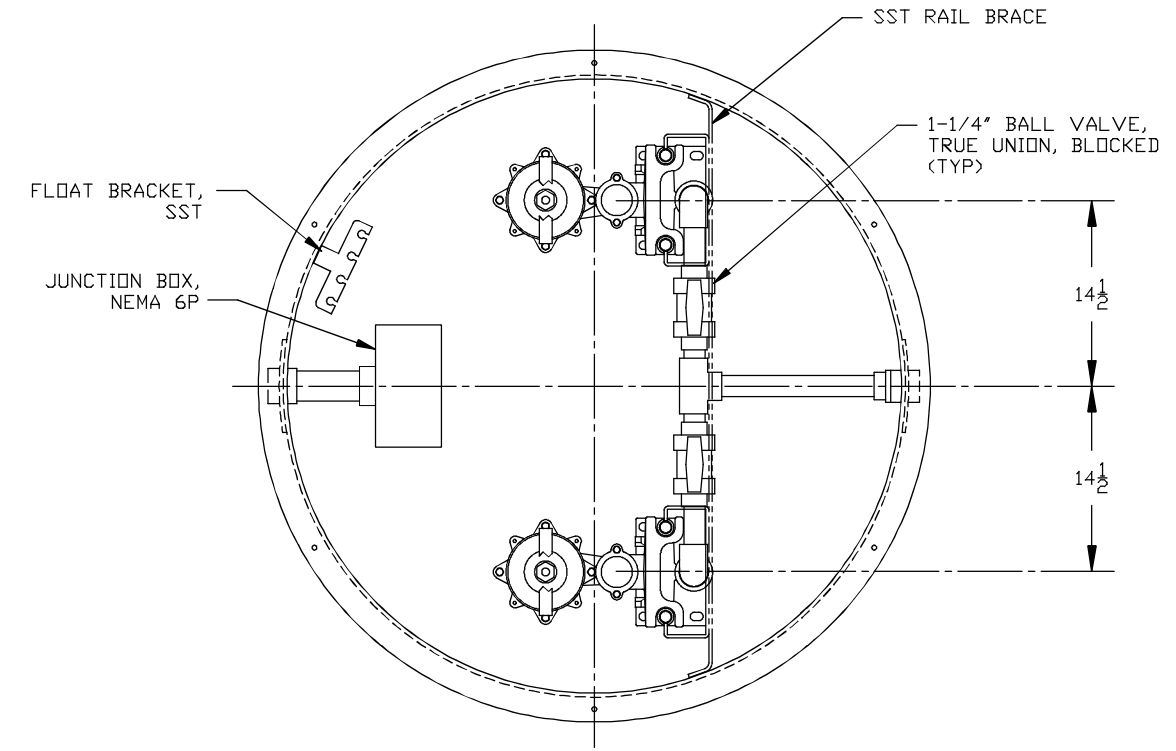
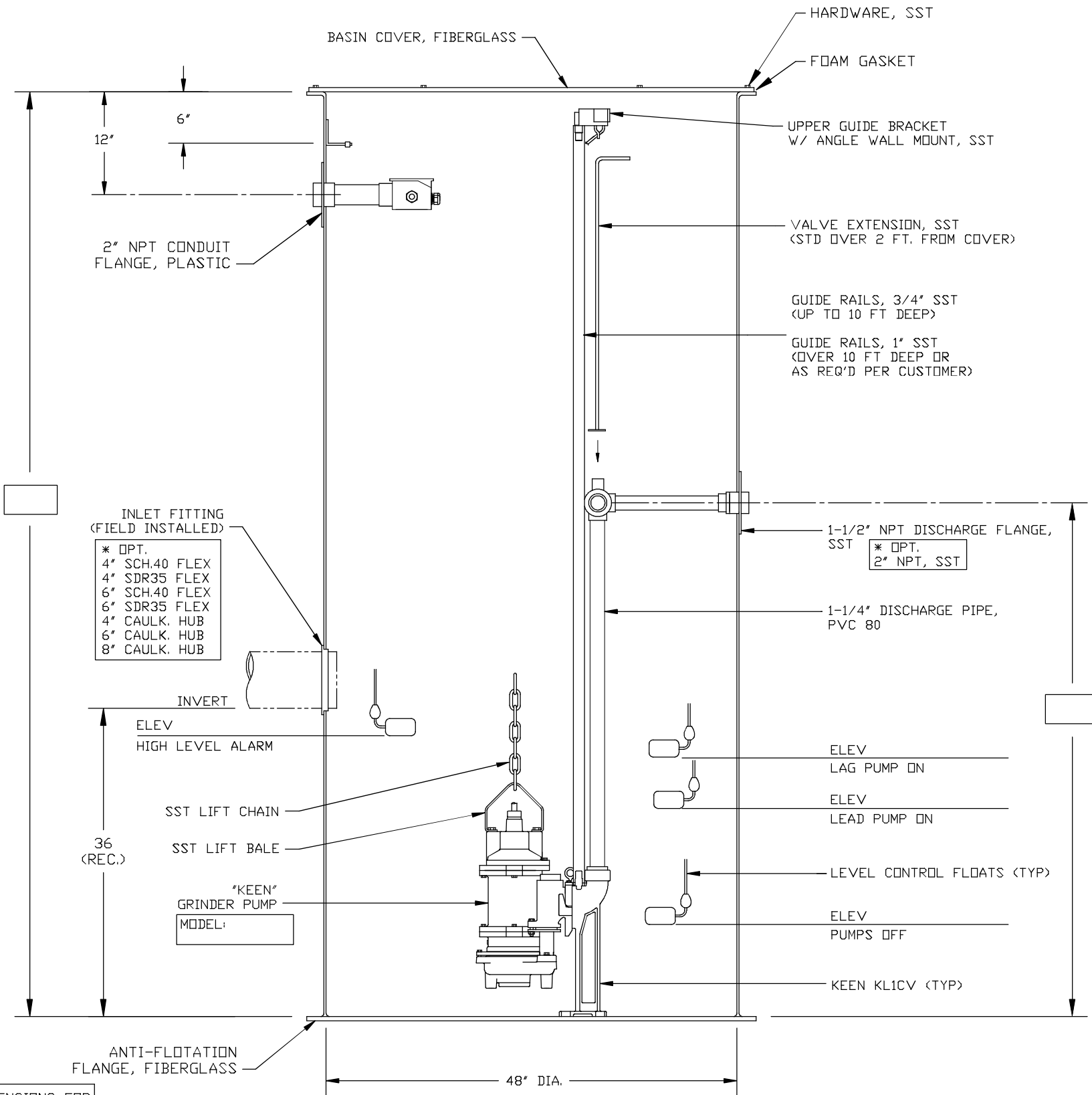
REV	INITIALS	DATE

	KEEN PUMP CO. 471E ST. ROUTE 250 EAST ASHLAND, OHIO 44805	PHONE: 419-207-9400 FAX: 419-207-8031
	TITLE BASIN ASSY;48"DIA., ALL 1&2HP GR., DUP., KL1, FG. COVER	
SCALE	DWG. #	REV.
NTS	KN-677	-
DWG. BY S. ETZEL	DATE 01/09/2013	

2HP GRINDER 48" BASIN (DUPLX) KL1 FG COVER (REF ONLY)

APPROVED BY: _____
 DATE: _____

TO CUSTOMER: EXAMINE THIS DRAWING CAREFULLY. VERIFY ALL DIMENSIONS, LOCATIONS, AND ELEVATIONS FOR ACCURACY. SIGN AND DATE AT LINE. ANY MODIFICATIONS OR CHANGES TO THIS DRAWING OR FINISHED PRODUCT, AFTER IT HAS BEEN SIGNED, MAY RESULT IN ADDITIONAL CHARGES AND SHIPPING DELAYS. NO JOB WILL BE STARTED UNTIL CONFIRMATION THROUGH SIGNATURE. CONFIRMATION THROUGH SIGNATURE RELEASES ORDER FOR PRODUCTION.



- INLET FITTING (FIELD INSTALLED)
- * OPT. 4" SCH.40 FLEX
 - 4" SDR35 FLEX
 - 6" SCH.40 FLEX
 - 6" SDR35 FLEX
 - 4" CAULK. HUB
 - 6" CAULK. HUB
 - 8" CAULK. HUB

- INVERT
- ELEV HIGH LEVEL ALARM
- 36 (REC.)
- SST LIFT CHAIN
- SST LIFT BALE
- "KEEN" GRINDER PUMP MODEL:

- 1-1/2" NPT DISCHARGE FLANGE, SST * OPT. 2" NPT, SST
- 1-1/4" DISCHARGE PIPE, PVC 80
- ELEV LAG PUMP ON
- ELEV LEAD PUMP ON
- LEVEL CONTROL FLOATS (TYP)
- ELEV PUMPS OFF
- KEEN KL1CV (TYP)

NOTE: ALL DIMENSIONS FOR REFERENCE ONLY

REV	INITIALS	DATE

KEEN PUMP COMPANY KEEN PUMP CO.
 471E ST. ROUTE 250 EAST PHONE: 419-207-9400
 ASHLAND, OHIO 44805 FAX: 419-207-8031

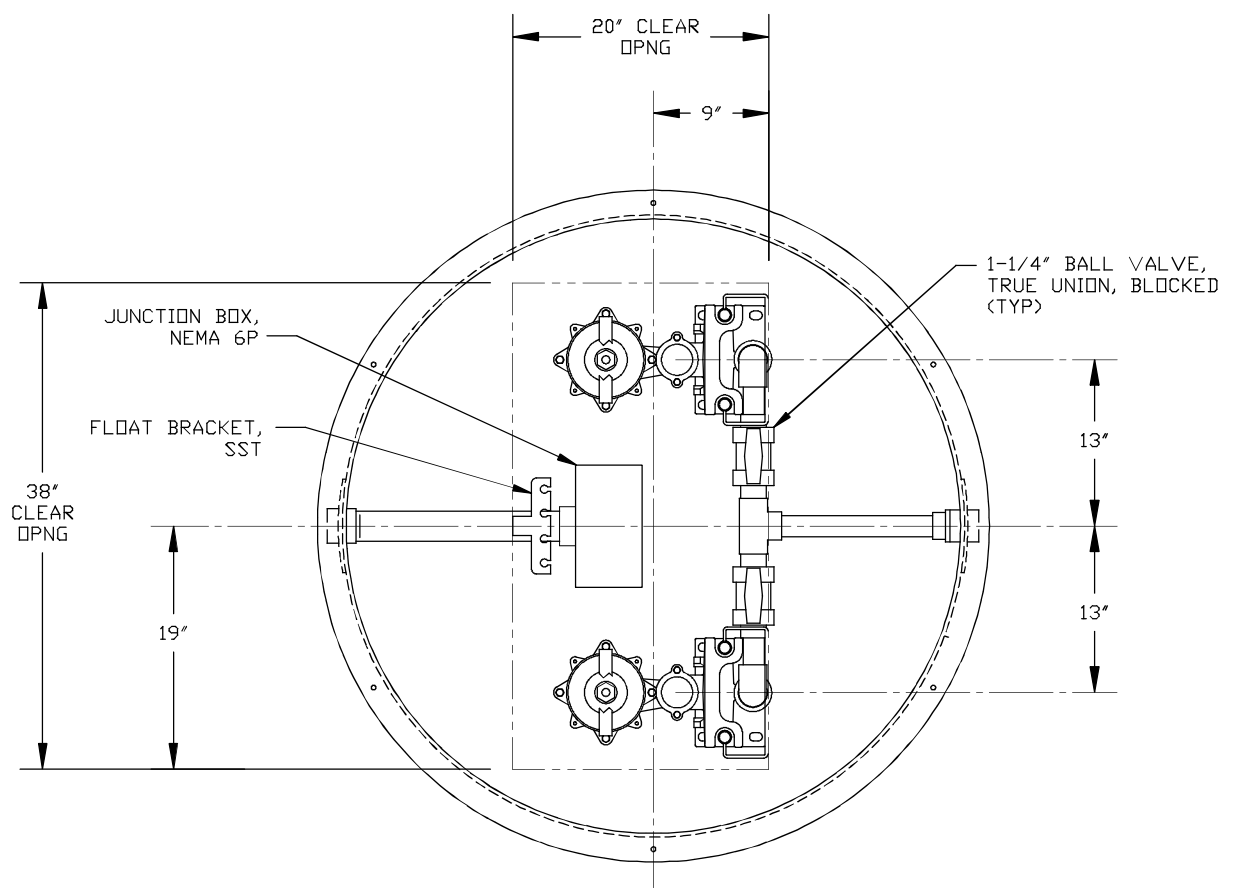
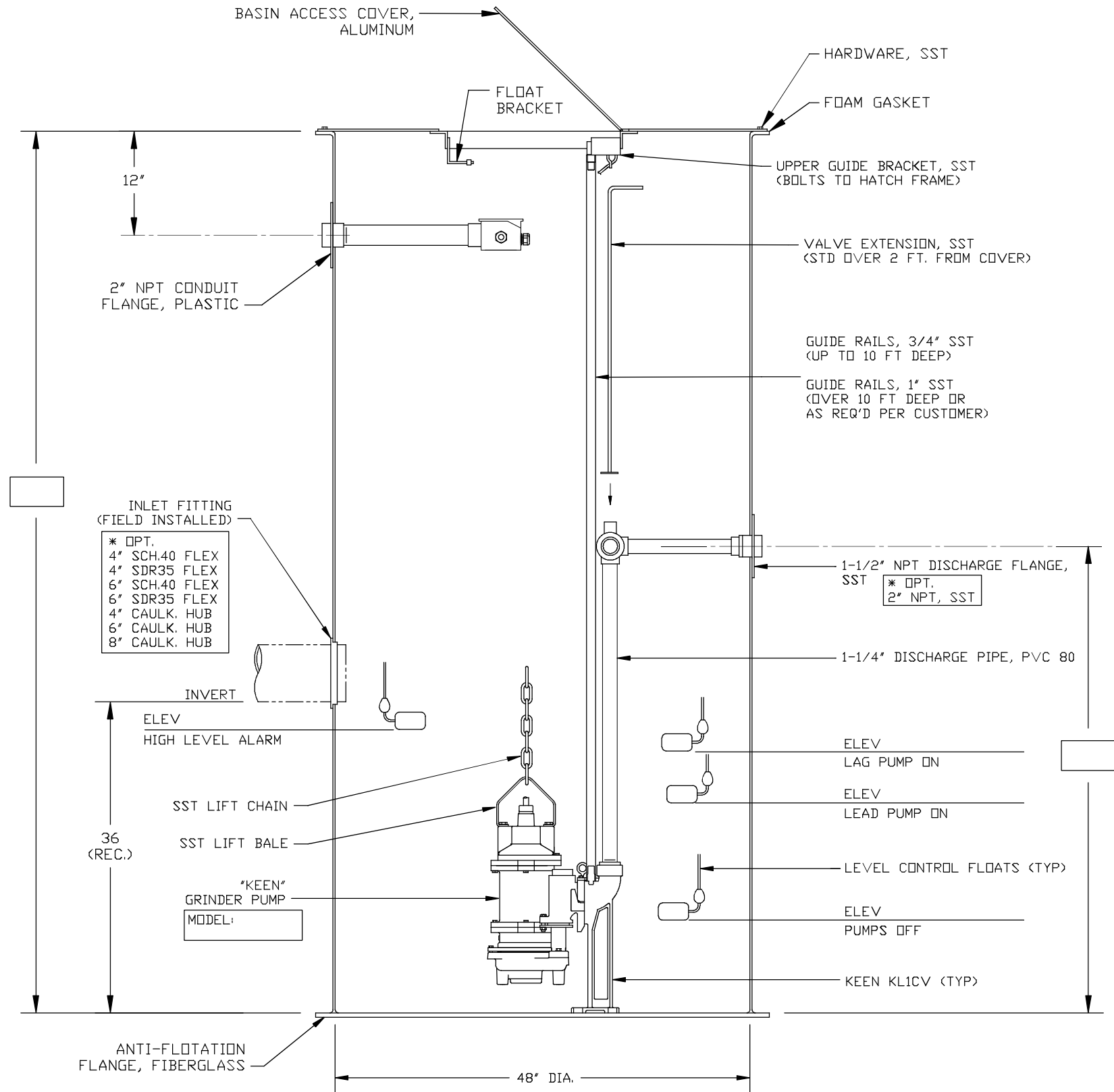
TITLE BASIN ASSY;48"DIA., ALL 1&2HP GR., DUP., KL1CV, FG. COVER		
SCALE NTS	DWG. # KN-275	REV. -
DWG. BY S. ETZEL	DATE 01/27/11	

2HP GRINDER 48" BASIN (DUPLX) KL1CV FG COVER (REF ONLY)

2HP GRINDER 48" BASIN (DUPLX) KL1CV ALUM COVER (REF ONLY)

APPROVED BY: _____
DATE: _____

TO CUSTOMER: EXAMINE THIS DRAWING CAREFULLY. VERIFY ALL DIMENSIONS, LOCATIONS, AND ELEVATIONS FOR ACCURACY. SIGN AND DATE AT LINE. ANY MODIFICATIONS OR CHANGES TO THIS DRAWING OR FINISHED PRODUCT, AFTER IT HAS BEEN SIGNED, MAY RESULT IN ADDITIONAL CHARGES AND SHIPPING DELAYS. NO JOB WILL BE STARTED UNTIL CONFIRMATION THROUGH SIGNATURE. CONFIRMATION THROUGH SIGNATURE RELEASES ORDER FOR PRODUCTION.

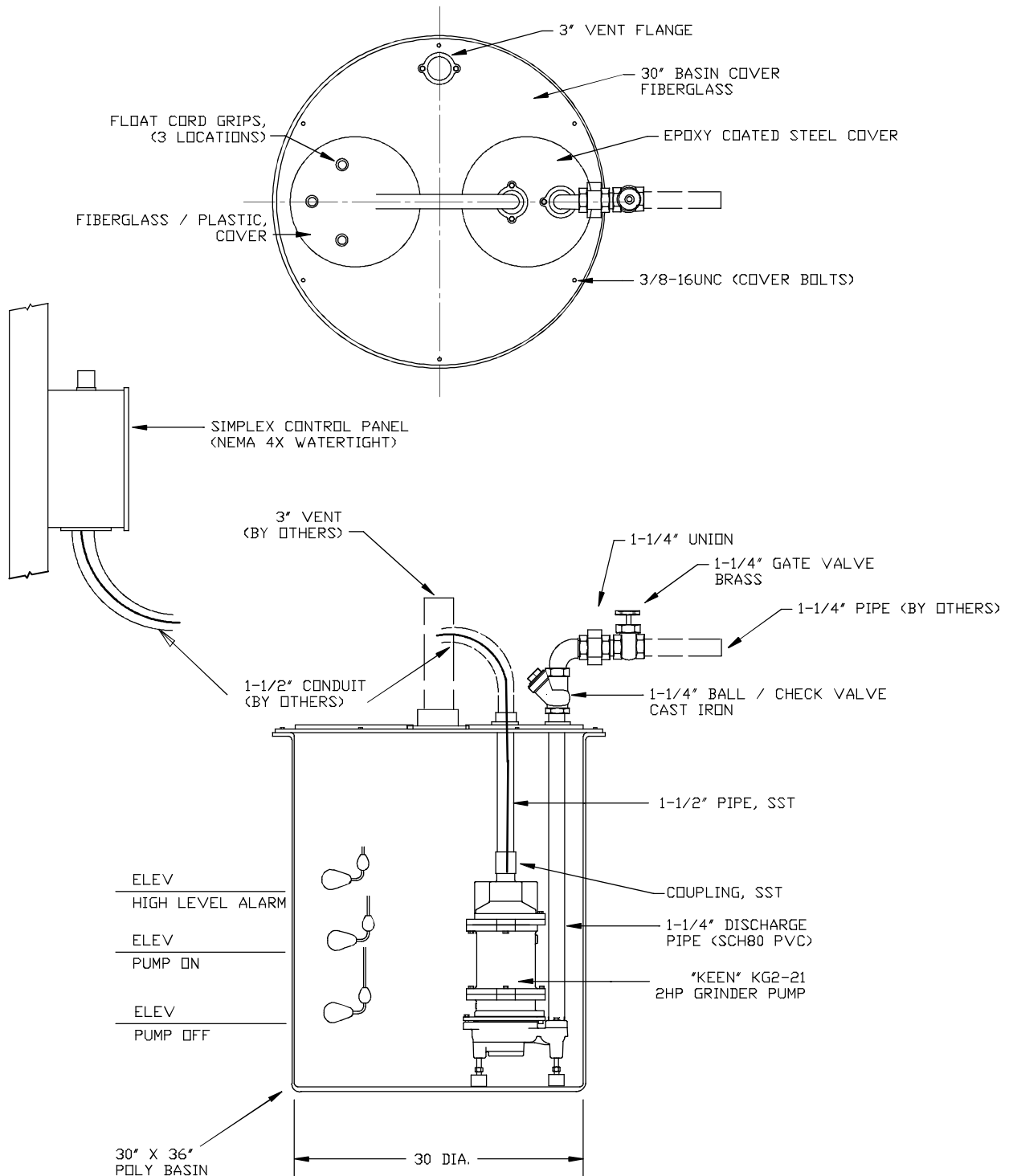


NOTE: ALL DIMENSIONS FOR REFERENCE ONLY

REV	INITIALS	DATE

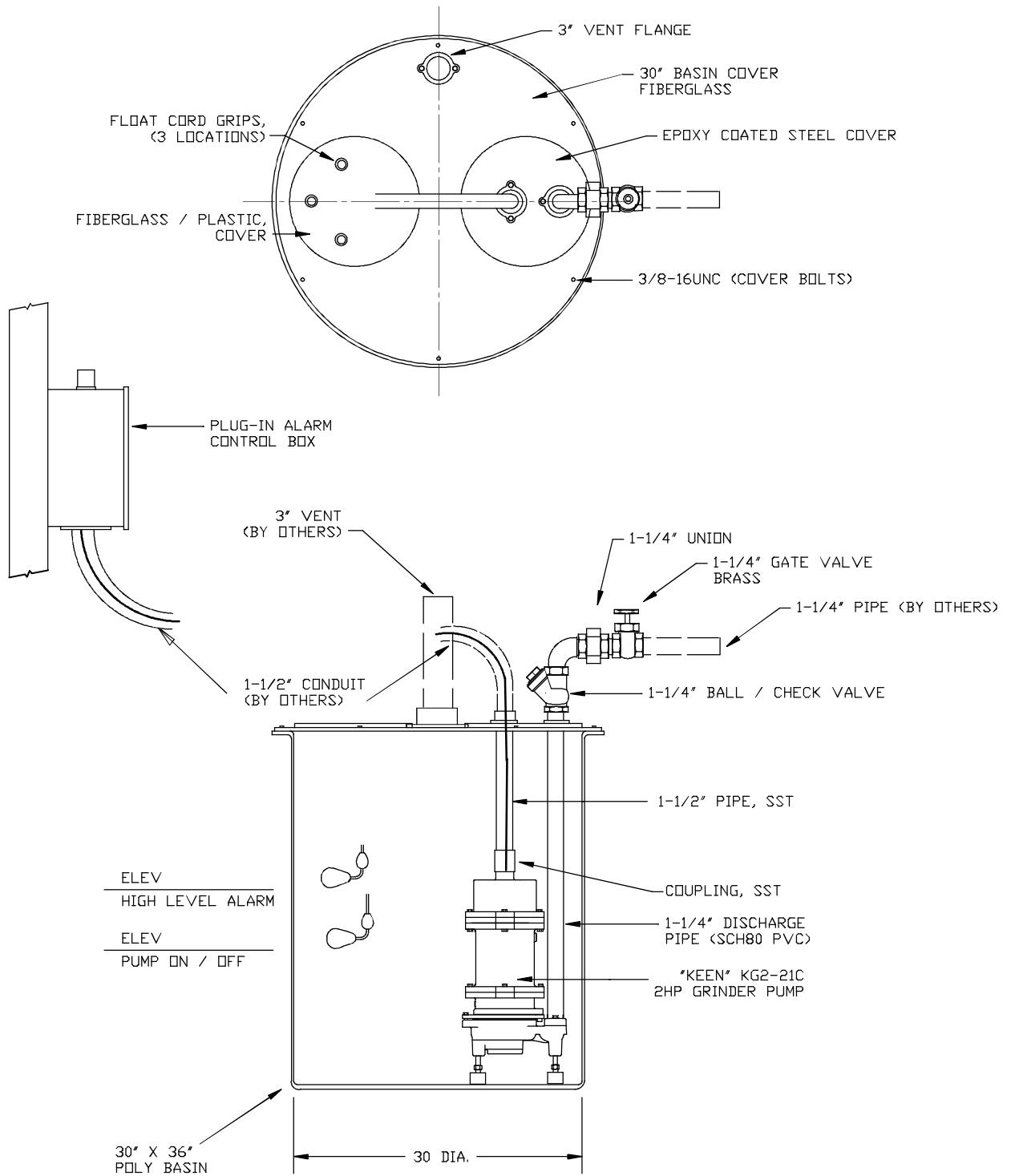
		KEEN PUMP CO. 471E ST. ROUTE 250 EAST ASHLAND, OHIO 44805		PHONE: 419-207-9400 FAX: 419-207-8031
TITLE BASIN ASSY;48"DIA., ALL 1&2HP GR., DUP., KL1CV, ALUM. CVR				
SCALE NTS		DWG. # KN-276		REV. -
DWG. BY S. ETZEL	DATE 01/27/11			


2HP GRINDER 30" BASIN INDOOR UNIT (REF ONLY)



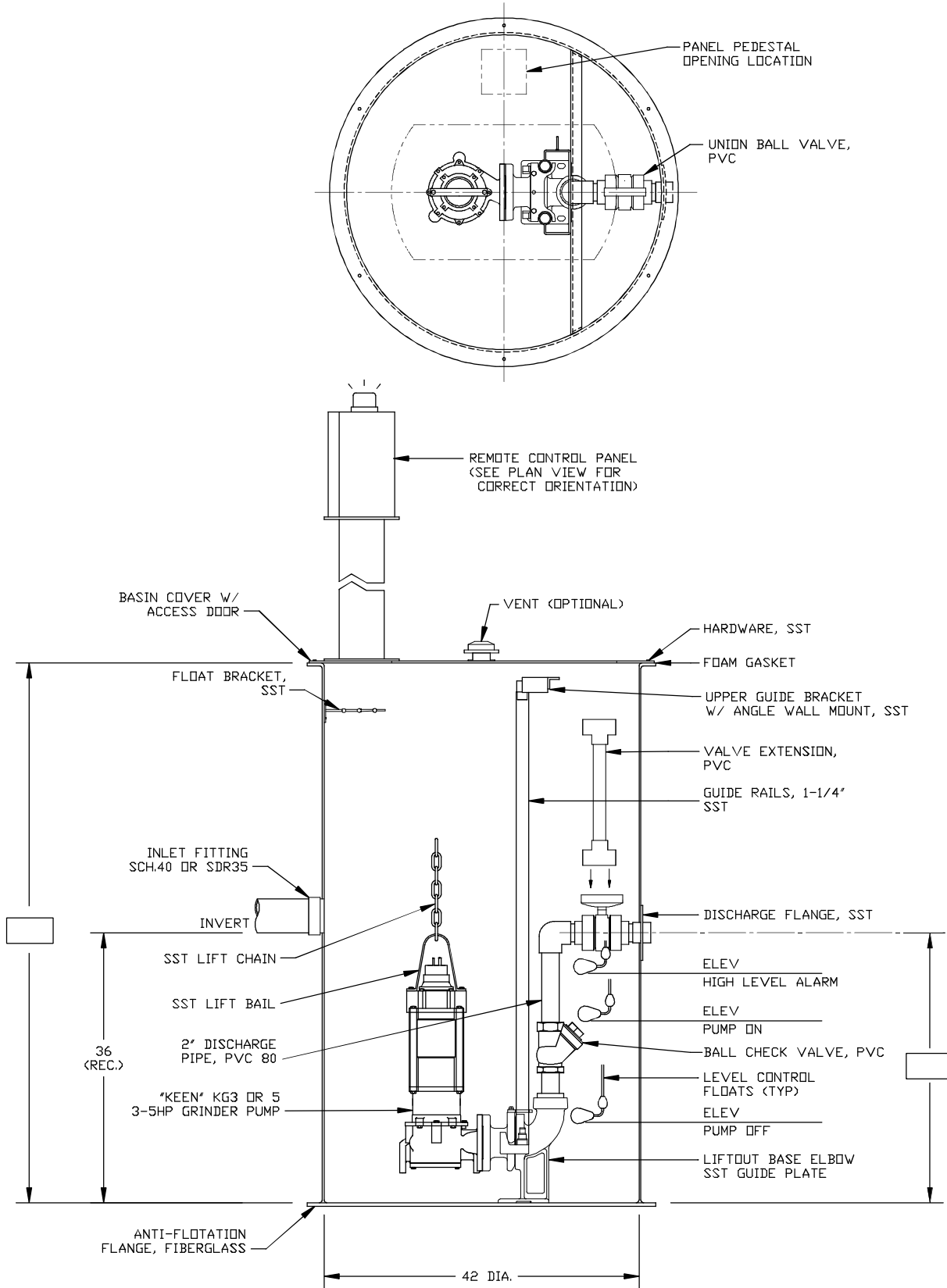
		KEEN PUMP CO. 471E ST ROUTE 250 EAST ASHLAND, OHIO 44805	PHONE: 419-207-9400 FAX: 419-207-8031
TITLE INDOOR BASIN; 30" DIA x 36", KG2-21 GRINDER PUMP			
SCALE		DWG. #	
NTS		KN-INDOOR-1	
DWG. BY	DATE	REV.	
SE	10/13/12	-	


2HP GRINDER INTERNAL CAPACITORS 30" BASIN INDOOR UNIT (REF ONLY)



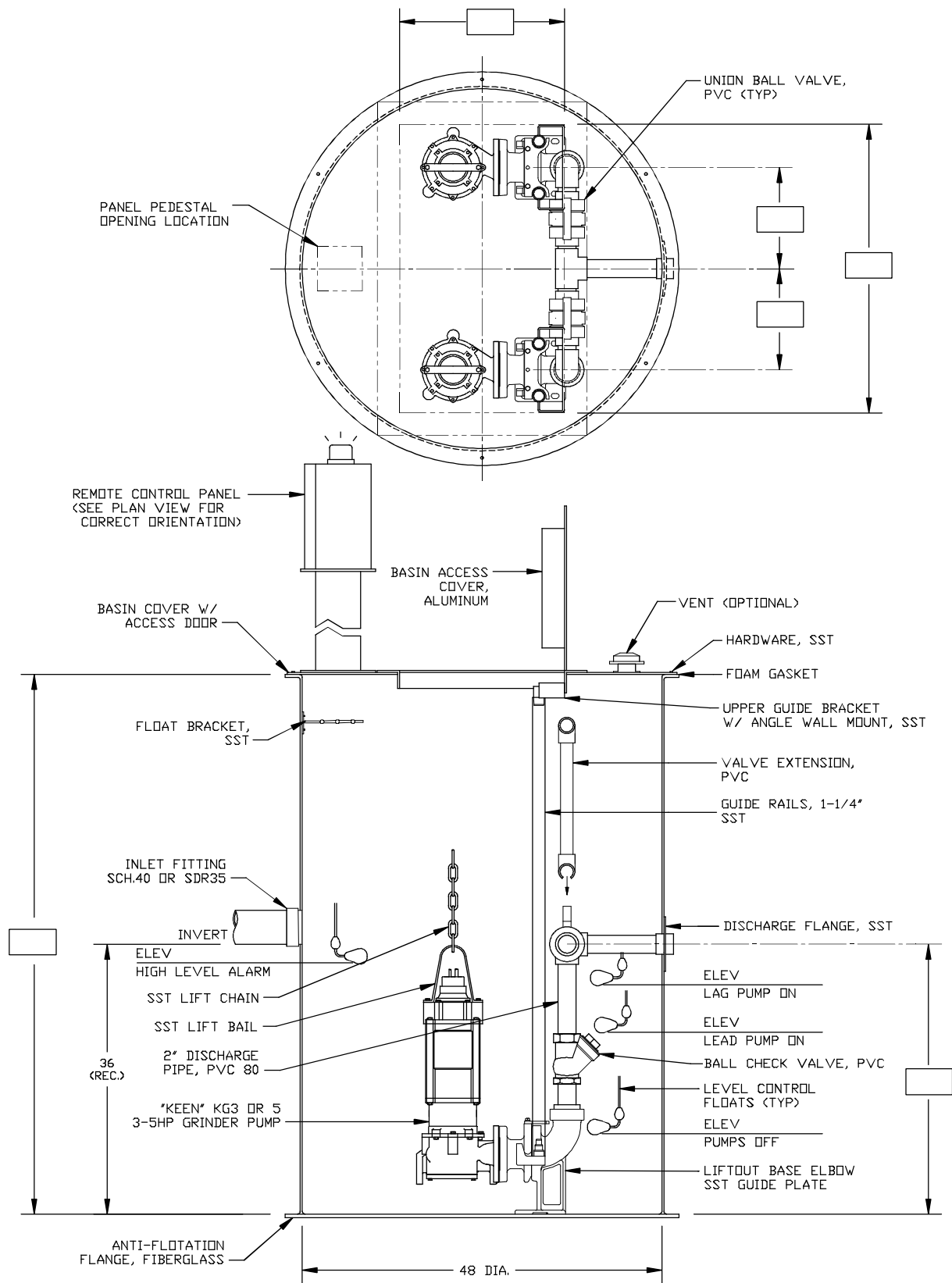
 KEEN PUMP COMPANY		KEEN PUMP CO. 471E ST ROUTE 250 EAST ASHLAND, OHIO 44805	PHONE: 419-207-9400 FAX: 419-207-8031
TITLE INDOOR BASIN; 30" DIA x 36", KG2-21C GRINDER PUMP			
SCALE		DWG. #	REV.
NTS		KN-INDOOR-2	-
DWG. BY	DATE		
SE	10/13/12		


3-7.5HP GRINDER 42" BASIN KL3H ALUM COVER (REF ONLY)



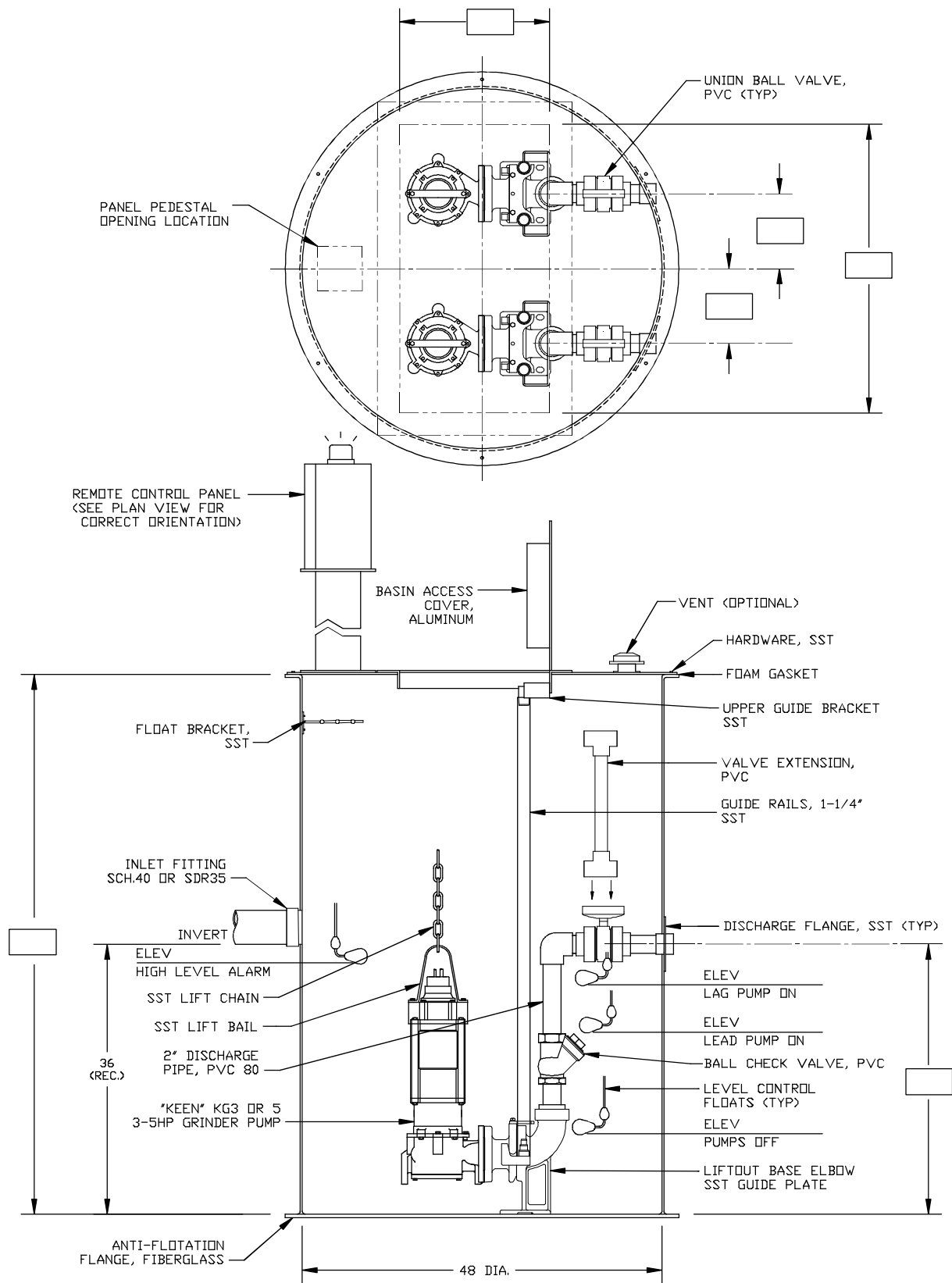
 KEEN PUMP CO. 1661 CLEVELAND AVE. ASHLAND, OHIO 44805		PHONE: 419-207-9400 FAX: 419-207-8031
TITLE BASIN; 42" DIA., KG3&5 GR. W/ RAILS, SIMPLEX, DIRECT PANEL		
SCALE NTS	DWG. # KN-47	REV. -
DWG. BY F. YUHASZ	DATE 10/30/08	


3-7.5HP GRINDER 48" BASIN (DUPLX) KL3H ALUM COVER (REF ONLY)



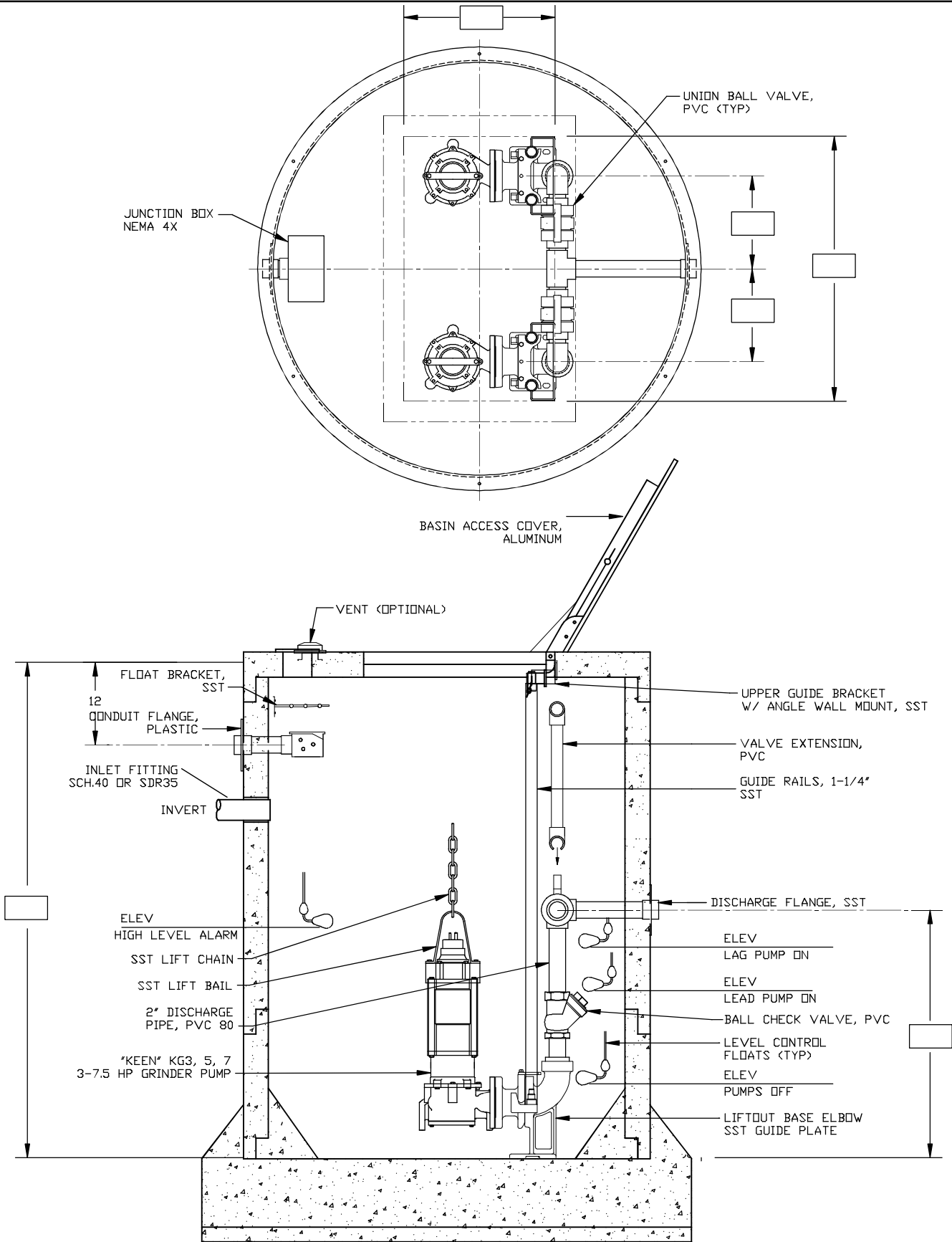
 KEEN PUMP CO. 1661 CLEVELAND AVE. ASHLAND, OHIO 44805		PHONE: 419-207-9400 FAX: 419-207-8031
TITLE BASIN; 48" DIA., KG3&5 GR. W/ RAILS, DUPLEX, MANIFOLD, DIRECT		
SCALE NTS	DWG. # KN-58	REV. -
DWG. BY F. YUHASZ	DATE 11/02/08	

3-7.5HP GR. 48" BASIN (DUPLEX) KL3H PARALLEL DISCH (REF ONLY)



 KEEN PUMP CO. 1661 CLEVELAND AVE. ASHLAND, OHIO 44805		PHONE: 419-207-9400 FAX: 419-207-8031
TITLE BASIN; 48" DIA., KG3&5 GR. W/ RAILS, DUPLEX, DUAL DIS., DIRECT		
SCALE NTS		DWG. # KN-70
DWG. BY F. YUHASZ	DATE 11/10/08	REV. -

3-7.5HP GRINDER CONCRETE BASIN (DUPLIX) KL3H (REF ONLY)

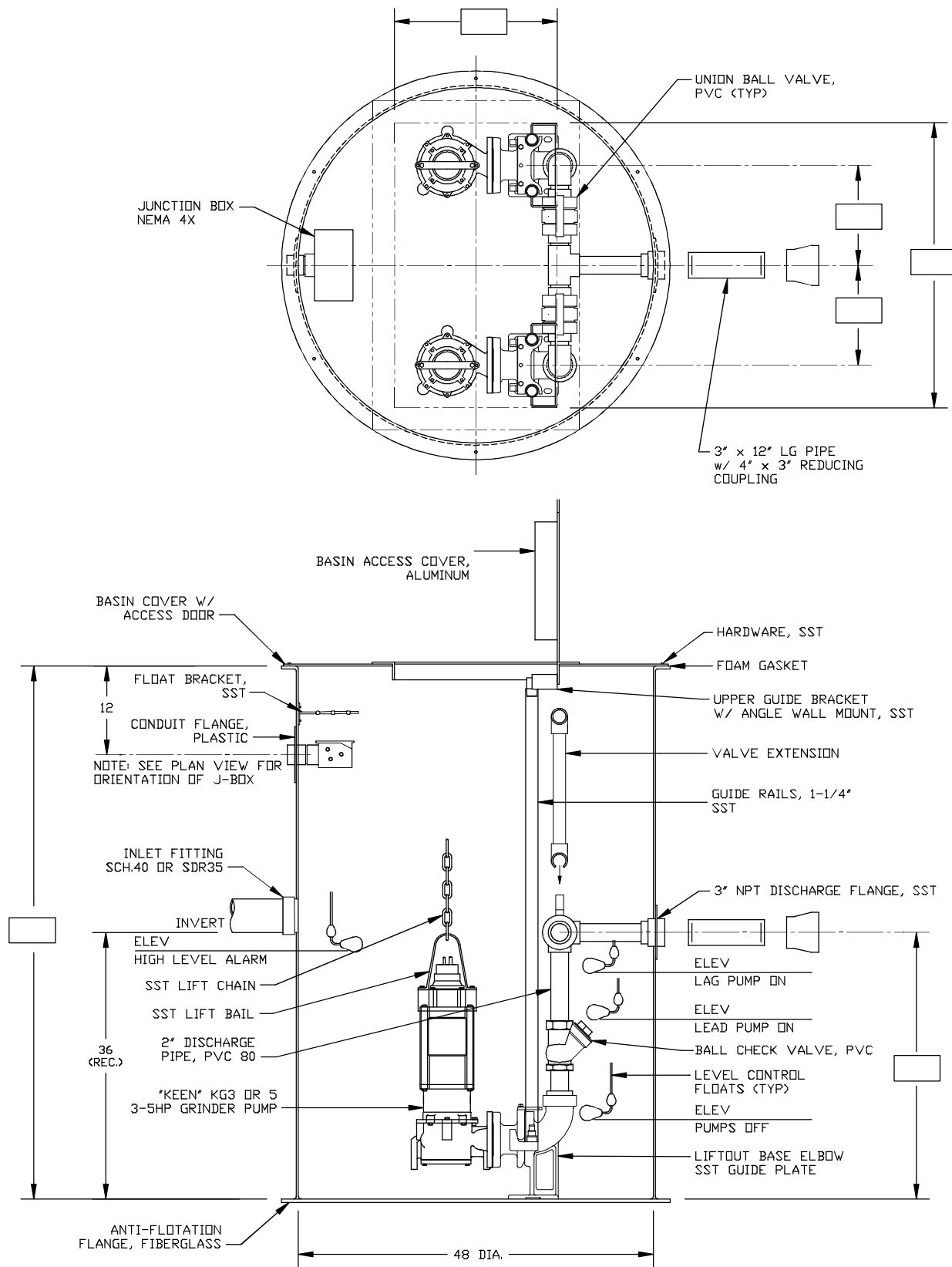


KEEN PUMP COMPANY
 KEEN PUMP CO.
 1661 CLEVELAND AVE.
 ASHLAND, OHIO 44805

PHONE: 419-207-9400
 FAX: 419-207-8031

TITLE CONCRETE DUPLEX BASIN PACKAGE, 3 - 7.5 HP GRINDERS		DWG. #	REV.
SCALE	NTS	KN-KG5	-
DWG. BY	DATE		
F. YUHASZ	11/02/08		

3-7.5HP GRINDER 48" BASIN (DUPLEX) KL3H ALUM COVER (REF ONLY)

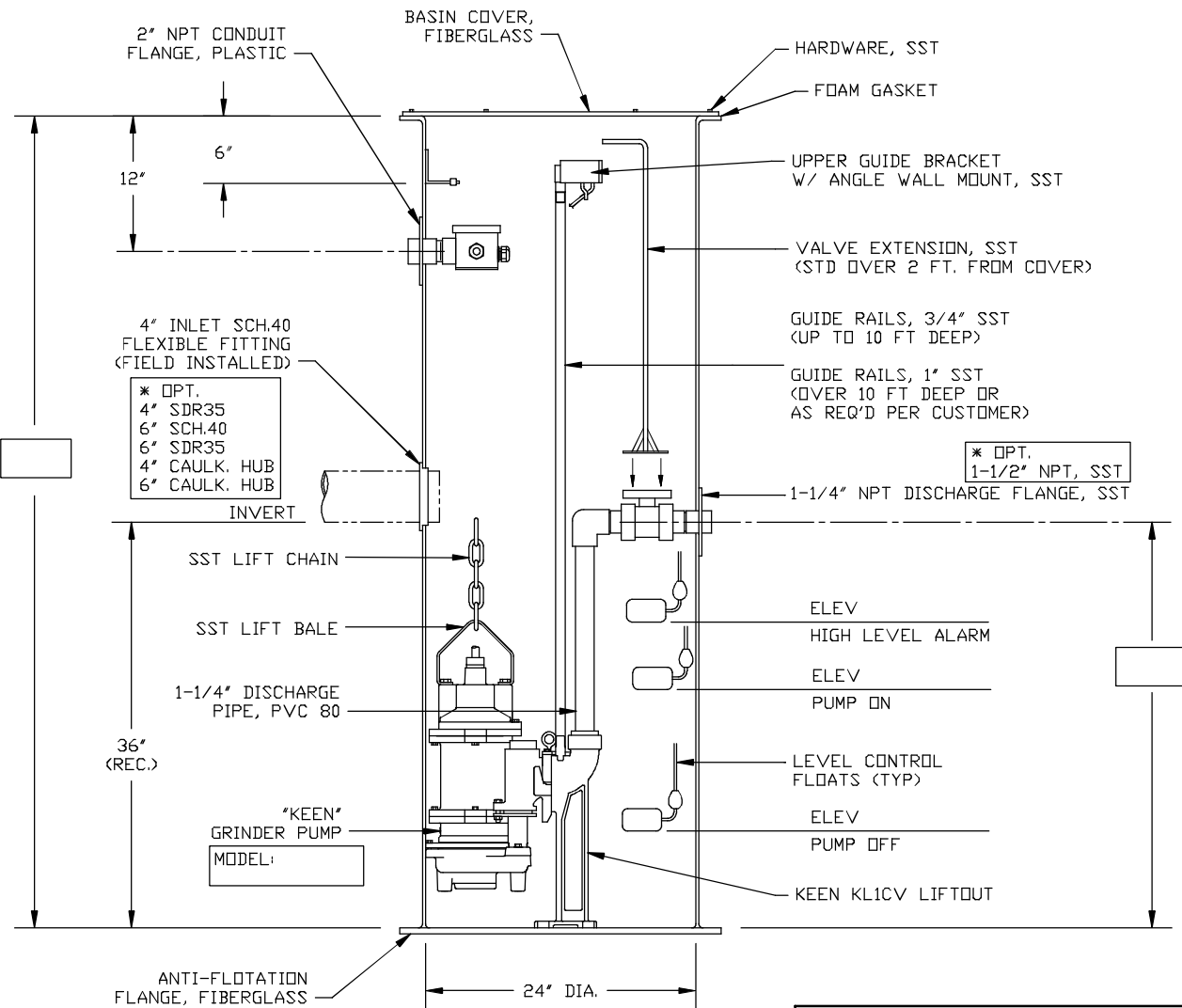
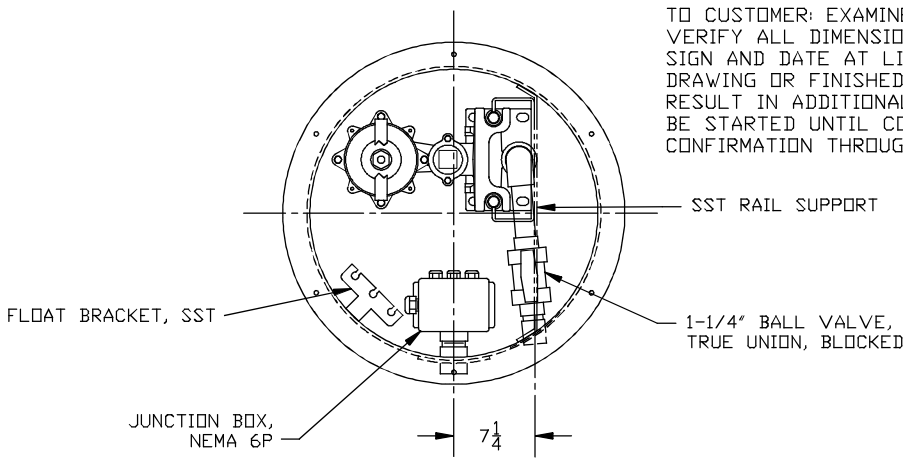


		KEEN PUMP CO. 1661 CLEVELAND AVE. ASHLAND, OHIO 44805	PHONE: 419-207-9400 FAX: 419-207-8031
TITLE BASIN; 48" DIA., KG3&5 GR. W/ RAILS, DUPLEX, MANIFOLD, JBOX			
SCALE	NTS	DWG. #	REV.
DWG. BY	DATE	KN-52	-
F. YUHASZ	11/01/08		

2HP GRINDER 24" BASIN KLICV FG COVER (REF ONLY)

APPROVED BY: _____
 DATE: _____

TO CUSTOMER: EXAMINE THIS DRAWING CAREFULLY. VERIFY ALL DIMENSIONS, LOCATIONS, AND ELEVATIONS FOR ACCURACY. SIGN AND DATE AT LINE. ANY MODIFICATIONS OR CHANGES TO THIS DRAWING OR FINISHED PRODUCT, AFTER IT HAS BEEN SIGNED, MAY RESULT IN ADDITIONAL CHARGES AND SHIPPING DELAYS. NO JOB WILL BE STARTED UNTIL CONFIRMATION THROUGH SIGNATURE. CONFIRMATION THROUGH SIGNATURE RELEASES ORDER FOR PRODUCTION.



- * OPT.
- 4" SDR35
- 6" SCH.40
- 6" SDR35
- 4" CAULK. HUB
- 6" CAULK. HUB

- * OPT.
- 1-1/2" NPT, SST

NOTE: ALL DIMENSIONS FOR REFERENCE ONLY

REV	INITIALS	DATE

		KEEN PUMP CO. 471E ST. ROUTE 250 EAST ASHLAND, OHIO 44805		PHONE: 419-207-9400 FAX: 419-207-8031	
TITLE: BASIN ASSY; 24"DIA., ALL 1&2HP GR., SIM, KLICV, FG CVR.					
SCALE: NTS			DWG. #		REV.
DWG. BY: S. ETZEL		DATE: 01/27/11		KN-277	