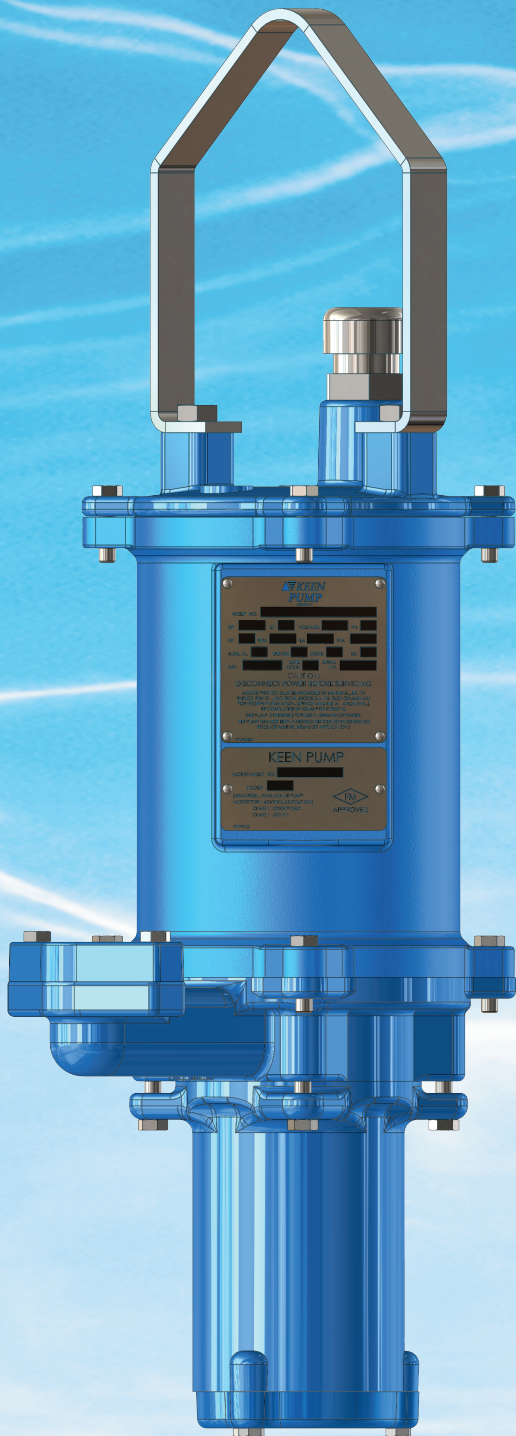
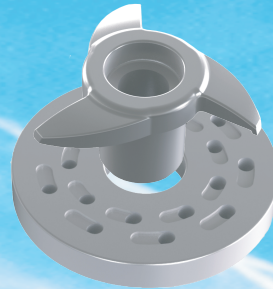


# PROGRESSIVE CAVITY GRINDER PUMP "EPCG15-21(SL)"



- COMPACT DESIGN FOR EASY INSTALLATION IN ANY STATION
- LIGHT WEIGHT FOR EASY HANDLING
- INDUSTRY BEST STAINLESS STEEL GRINDER ASSEMBLY FOR DEPENDABLE SERVICE

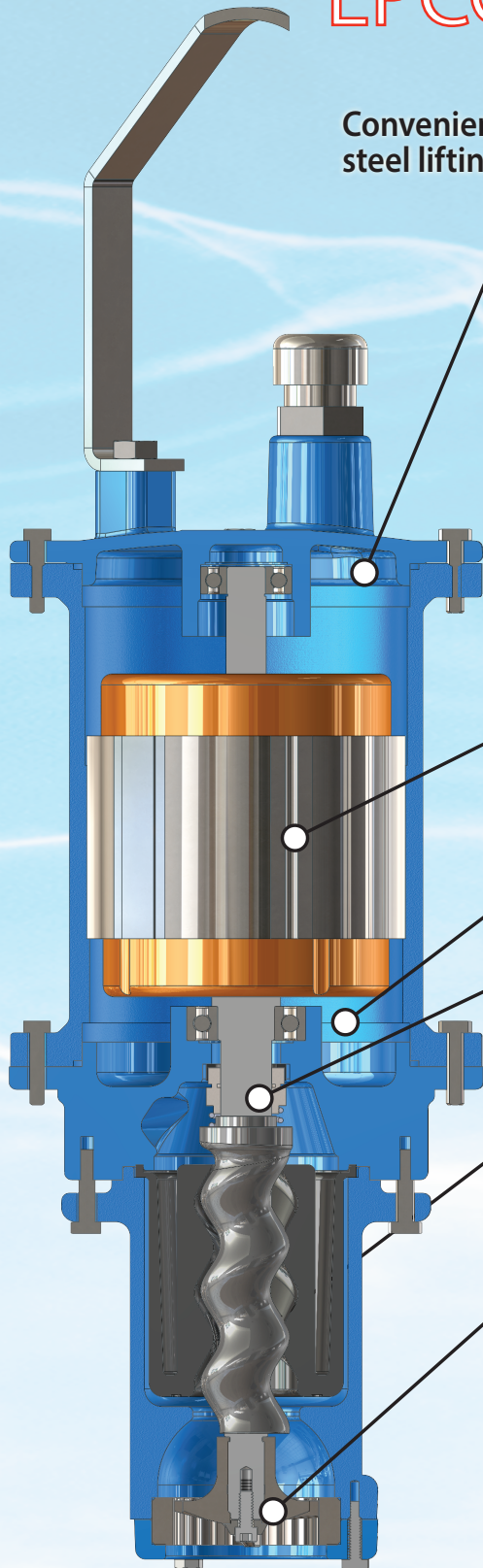


Slicer-Cutter

- RUGGED HIGH-TENSILE IRON PUMP CONSTRUCTION
- DEPENDABLE 50-YEAR PROVEN DESIGN



# PROGRESSIVE CAVITY GRINDER PUMP "EPCG15-21(SL)"



Convenient stainless steel lifting handle

**CORD ENTRY**  
• Double-Barrier Moisture Protection

## POWERFUL PERFORMANCE

### PRESSURE

### FLOW

0 PSI	16 GPM
20 PSI	15 GPM
40 PSI	14 GPM
60 PSI	12 GPM
80 PSI	10 GPM

HIGH-TORQUE MOTOR HANDLES ALL GRINDING CONDITIONS

OIL FILLED MOTOR CHAMBER KEEPS MOTOR COOLED AND LUBRICATES BEARINGS

ABRASIVE RESISTANT SILICON CARBIDE SHAFT SEAL

PREMIUM STAINLESS STEEL ROTOR FOR LONG LIFE

STAINLESS STEEL GRINDER ASSEMBLY  
• HEAT TREATED  
• HARDENED  
• PRECISION GROUND



471 US HWY 250 East · Ashland, Ohio 44805  
419.207.9400 fax 419.207.8031  
[www.keenpump.com](http://www.keenpump.com)