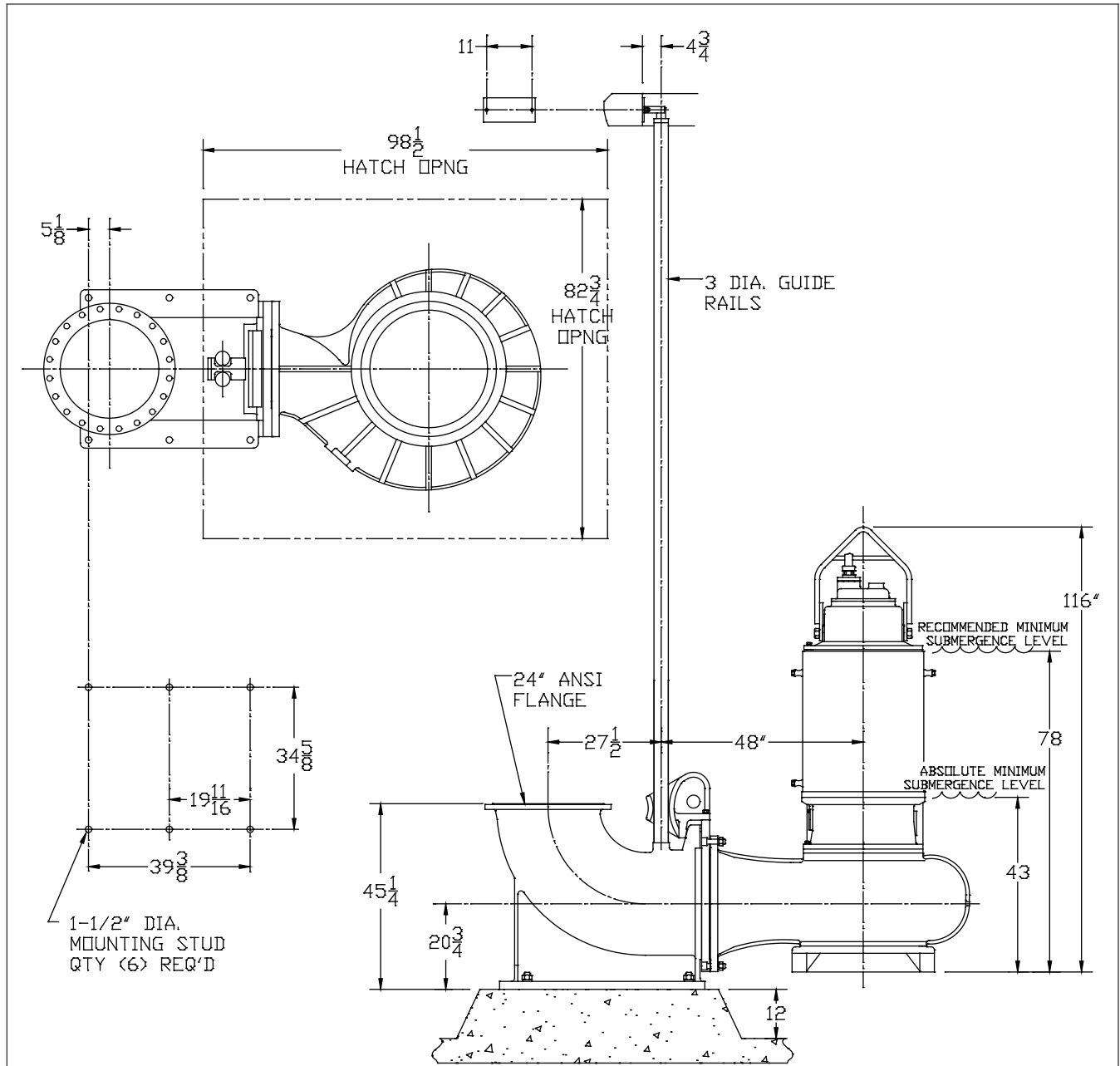


Pump Series	K24VK	24" SUBMERSIBLE SEWAGE PUMPS
LIFTOUT DIMENSIONAL DATA		



Notes:

1. All dimensions in inches and (millimeters).
2. Discharge flange ANSI 150 lb. unless noted.
3. Absolute minimum and recommended minimum submergence levels noted.
4. Discharge base elbow must be placed above sump bottom as noted.
5. Dimensions may vary due to normal manufacturing tolerances.
6. If discharge pipe is larger than discharge elbow, eccentric reducer must be used limited to 2X larger maximum.