

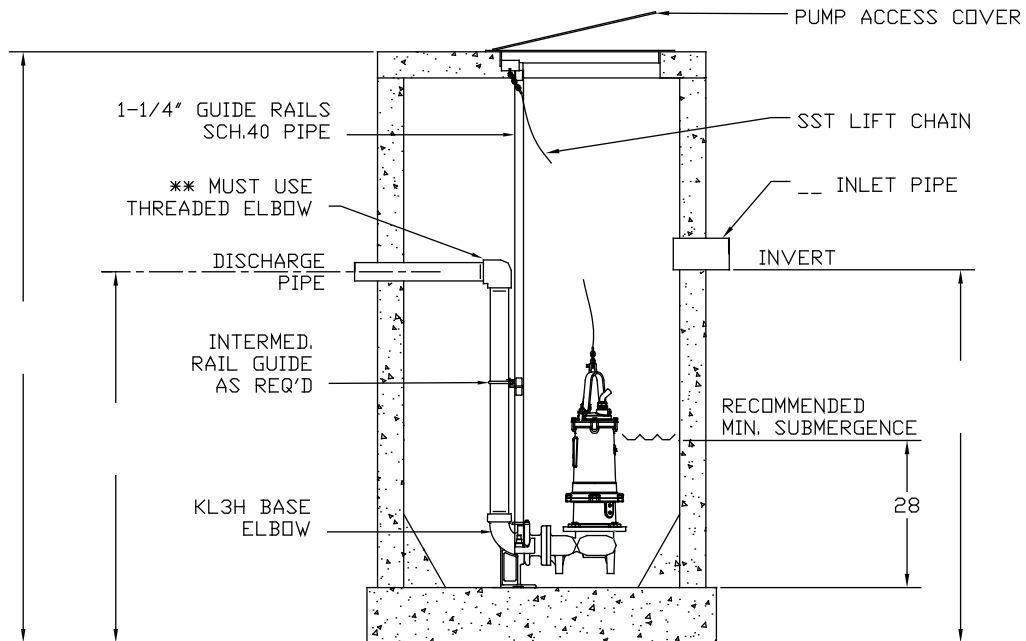
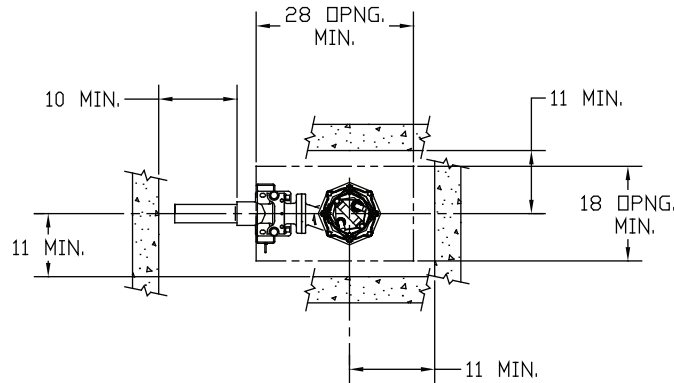


Pump Series

K3RN

3" SUBMERSIBLE SEWAGE PUMPS

SIMPLEX INSTALLATION DIMENSIONAL DATA



Notes:

1. All dimensions in inches unless noted.
2. Refer to pump dimension and liftout dimension sheets for more details.
3. Recommended minimum submergence levels noted.
4. Discharge base elbow must be placed above sump bottom as noted.
5. Dimensions may vary due to normal manufacturing tolerances.
6. If discharge pipe is larger than discharge elbow, eccentric reducer must be used limited to 2X larger maximum.

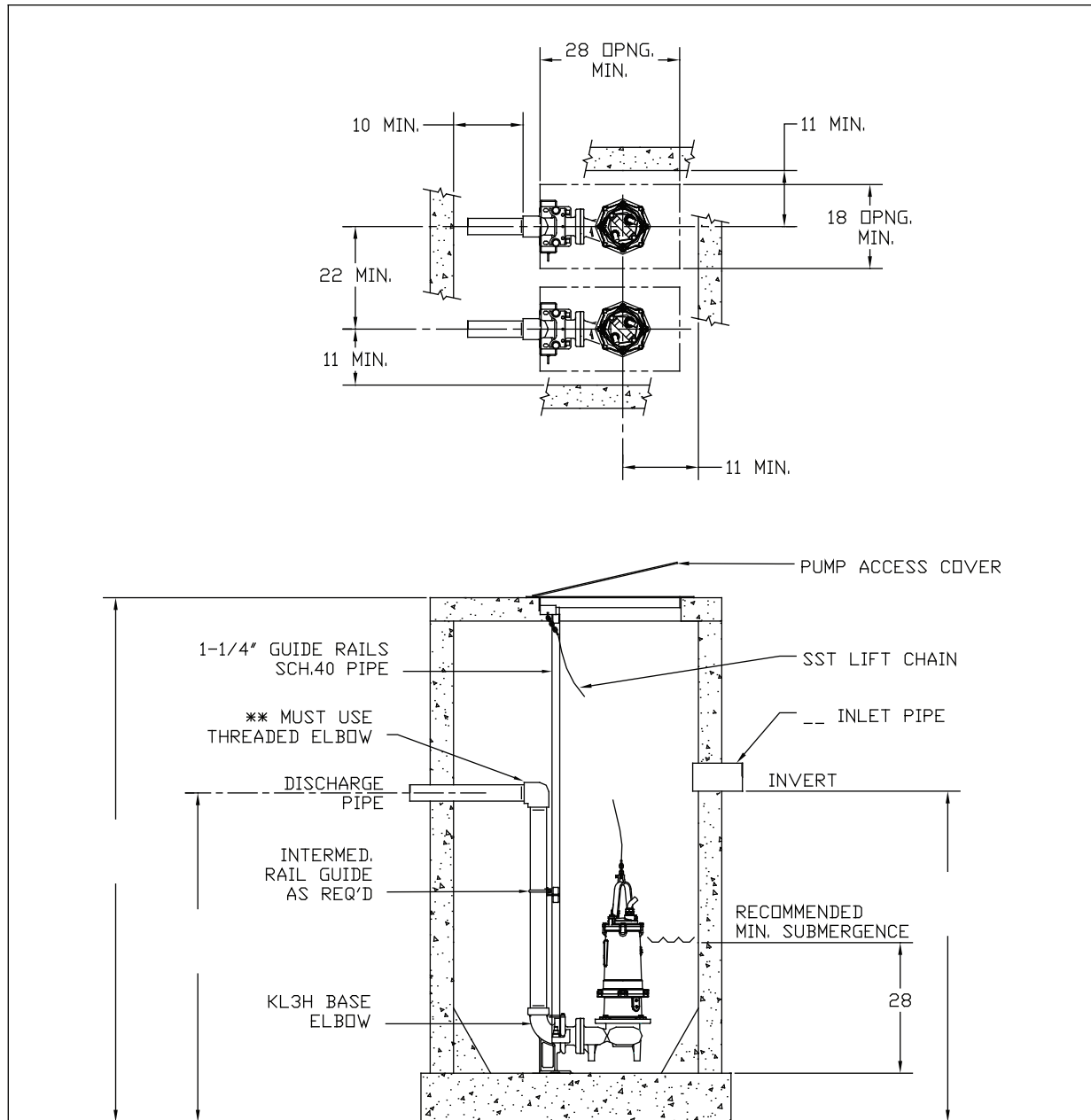


Pump Series

K3RN

3" SUBMERSIBLE SEWAGE PUMPS

DUPLEX INSTALLATION DIMENSIONAL DATA

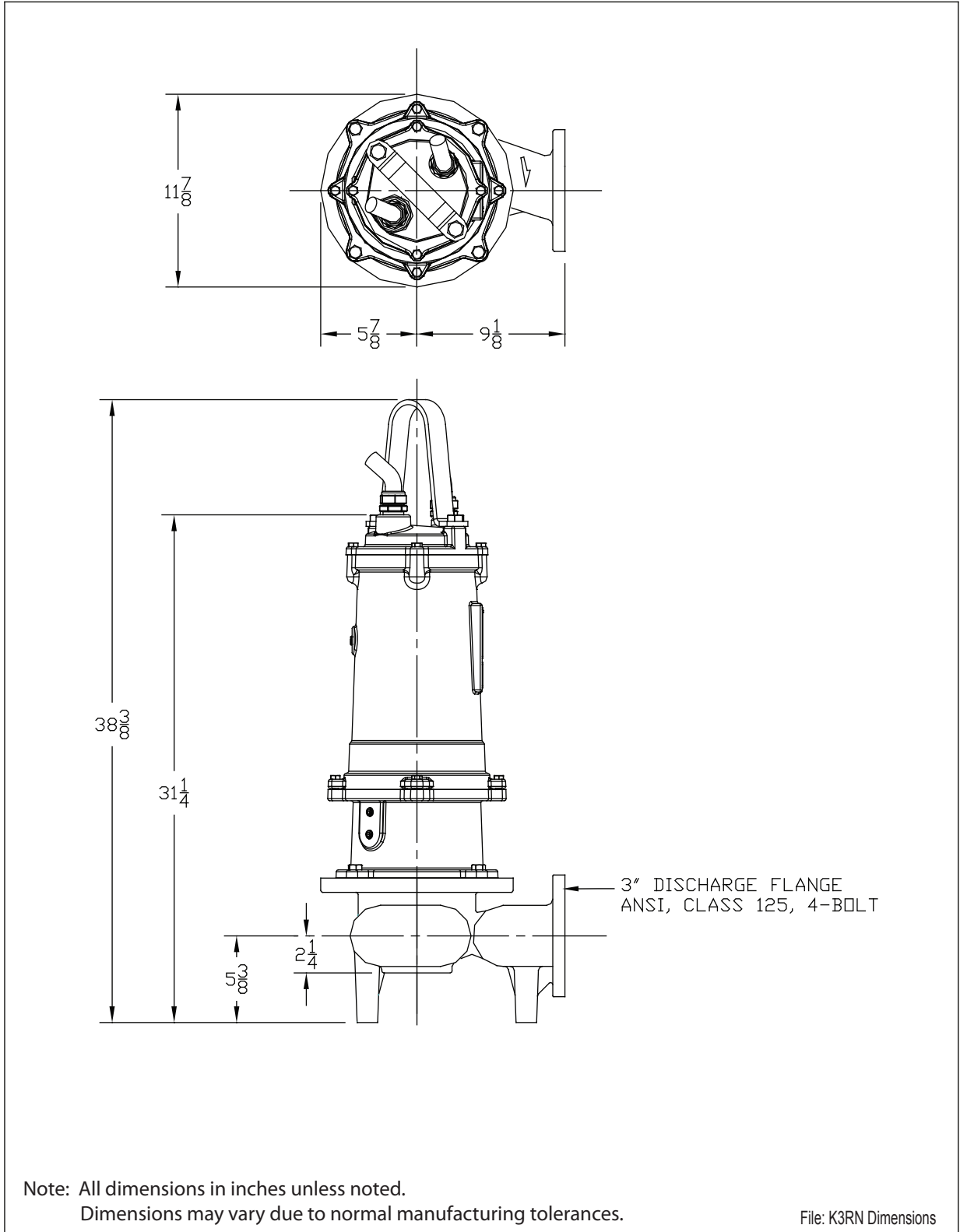


Notes:

1. All dimensions in inches unless noted.
2. Refer to pump dimension and liftout dimension sheets for more details.
3. Recommended minimum submergence levels noted.
4. Discharge base elbow must be placed above sump bottom as noted.
5. Dimensions may vary due to normal manufacturing tolerances.
6. If discharge pipe is larger than discharge elbow, eccentric reducer must be used limited to 2X larger maximum.



Pump Series	K3RN	3" SUBMERSIBLE SEWAGE PUMPS
DIMENSIONAL DATA		



Note: All dimensions in inches unless noted.
Dimensions may vary due to normal manufacturing tolerances.

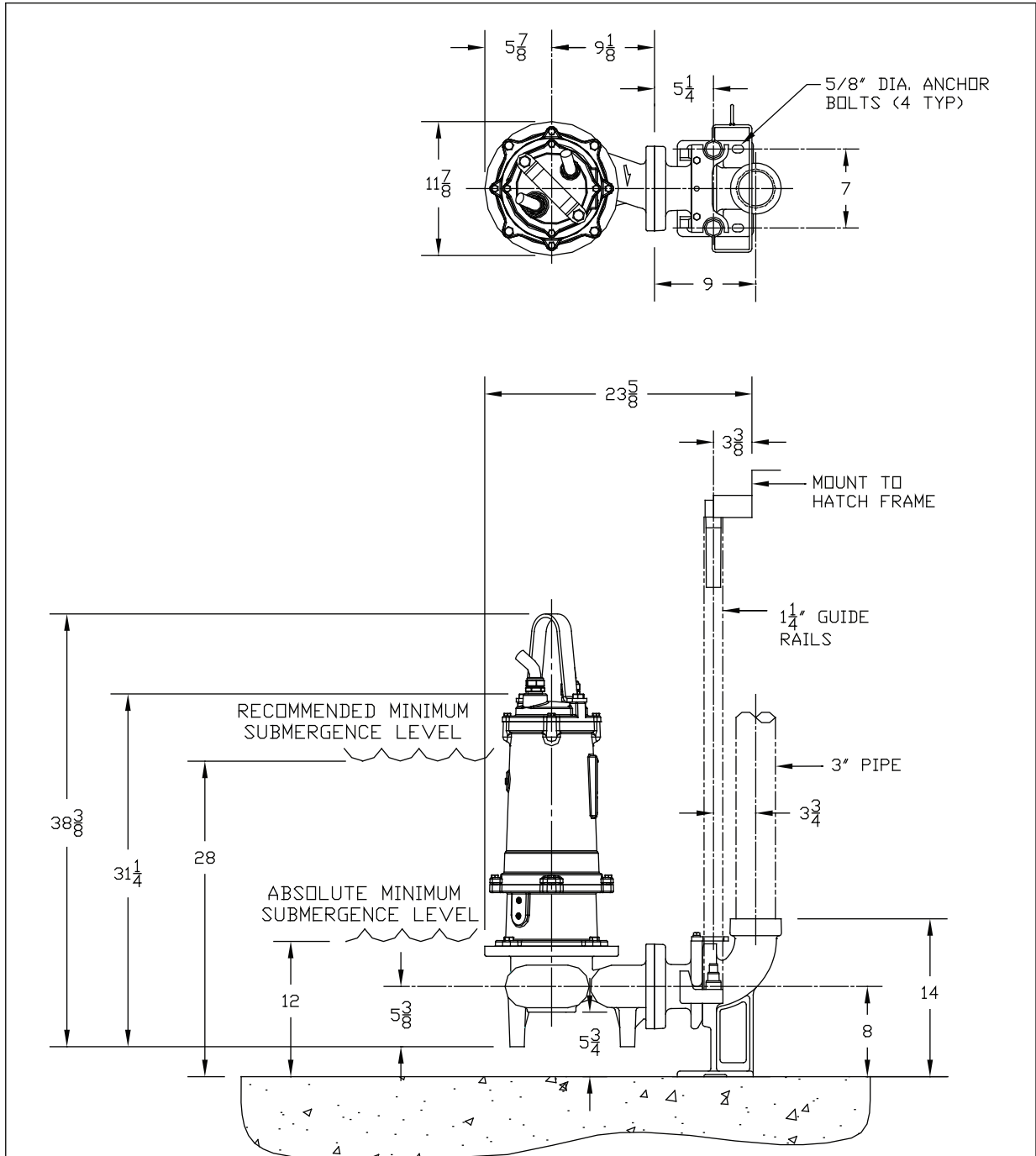


Pump Series

K3RN

3" SUBMERSIBLE SEWAGE PUMPS

LIFTOUT DIMENSIONAL DATA

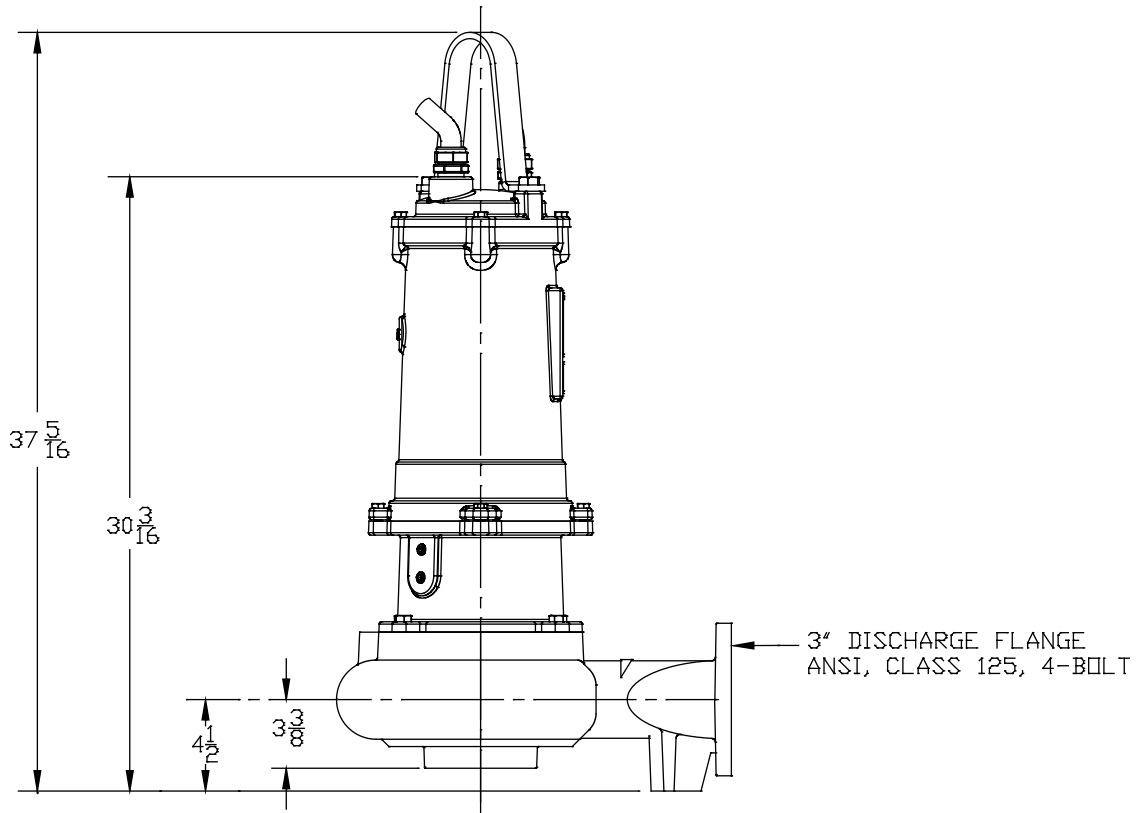
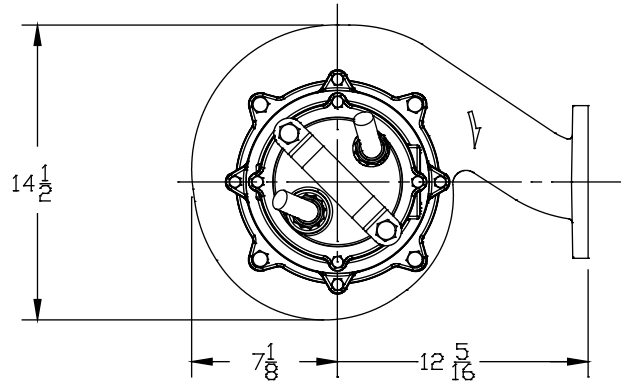


Notes:

- 1. All dimensions in inches unless noted.
- 2. Discharge flange 3" NPT.
- 3. Absolute minimum and recommended minimum submergence levels noted.
- 4. Dimensions may vary due to normal manufacturing tolerances.
- 5. If discharge pipe is larger than discharge elbow, eccentric reducer must be used limited to 2X larger maximum.

Pump Series	K3RN	3" SUBMERSIBLE SEWAGE PUMPS
DIMENSIONAL DATA		

4 & 6 POLE



Note: All dimensions in inches unless noted.
Dimensions may vary due to normal manufacturing tolerances.

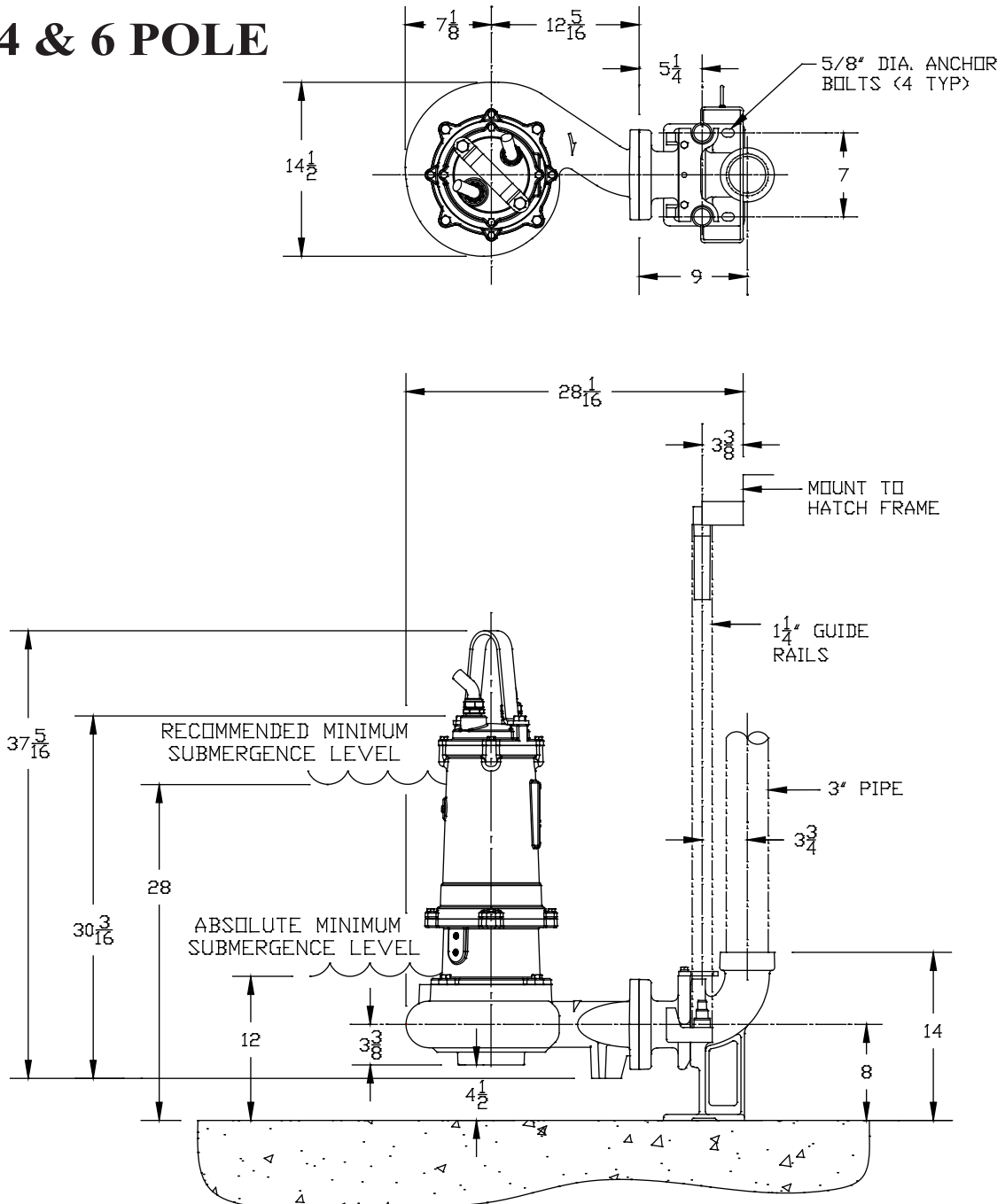
Pump Series

K3RN

3" SUBMERSIBLE SEWAGE PUMPS

LIFTOUT DIMENSIONAL DATA

4 & 6 POLE

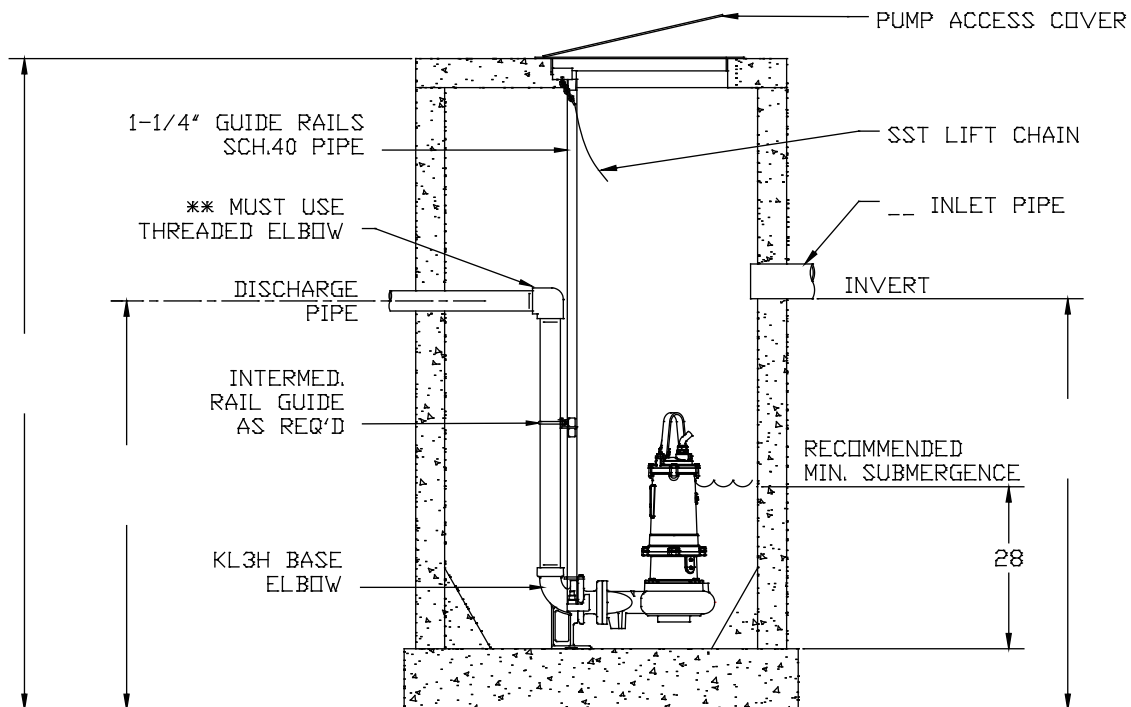
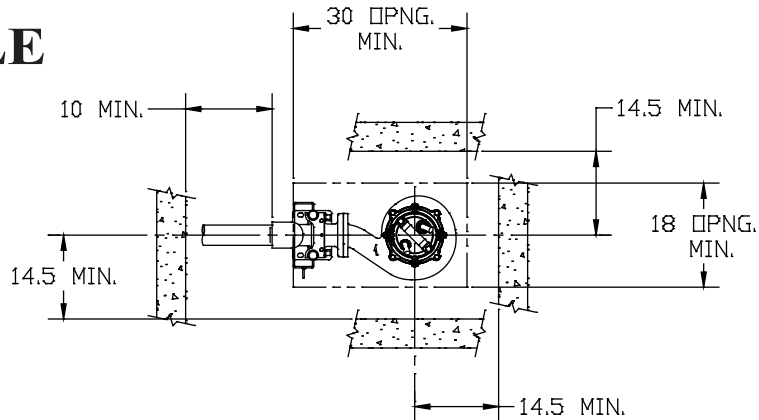


Notes:

1. All dimensions in inches unless noted.
2. Discharge flange 3" NPT.
3. Absolute minimum and recommended minimum submergence levels noted.
4. Dimensions may vary due to normal manufacturing tolerances.
5. If discharge pipe is larger than discharge elbow, eccentric reducer must be used limited to 2X larger maximum.

Pump Series	K3RN	3" SUBMERSIBLE SEWAGE PUMPS
SIMPLEX INSTALLATION DIMENSIONAL DATA		

4 & 6 POLE

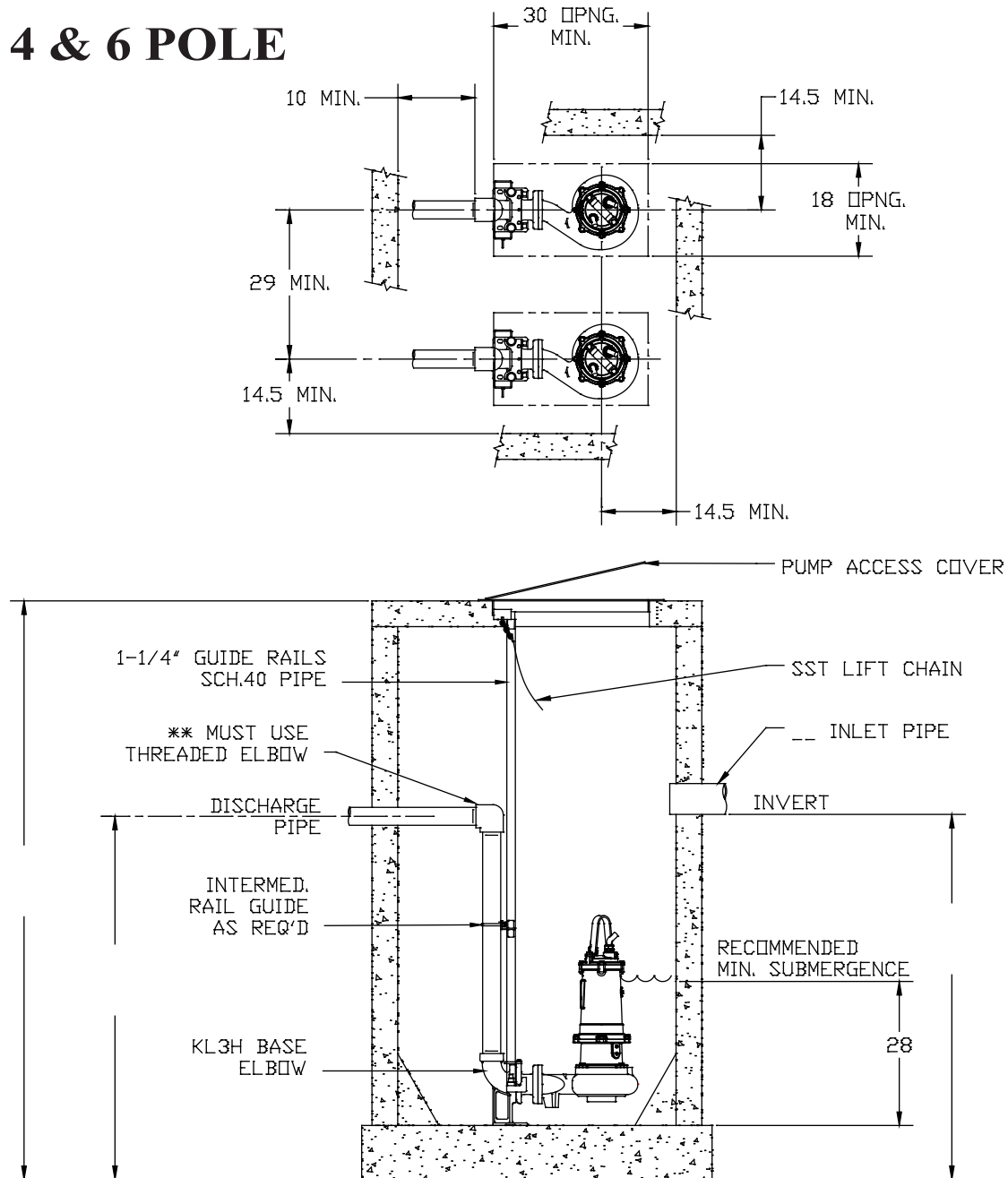


Notes:

1. All dimensions in inches unless noted.
2. Refer to pump dimension and liftout dimension sheets for more details.
3. Recommended minimum submergence levels noted.
4. Discharge base elbow must be placed above sump bottom as noted.
5. Dimensions may vary due to normal manufacturing tolerances.
6. If discharge pipe is larger than discharge elbow, eccentric reducer must be used limited to 2X larger maximum.

Pump Series	K3RN	3" SUBMERSIBLE SEWAGE PUMPS
DUPLEX INSTALLATION DIMENSIONAL DATA		

4 & 6 POLE



Notes:

1. All dimensions in inches unless noted.
2. Refer to pump dimension and liftout dimension sheets for more details.
3. Recommended minimum submergence levels noted.
4. Discharge base elbow must be placed above sump bottom as noted.
5. Dimensions may vary due to normal manufacturing tolerances.
6. If discharge pipe is larger than discharge elbow, eccentric reducer must be used limited to 2X larger maximum.