 <b>KEEN PUMP</b> COMPANY	KEEN PUMP CO. 1661 CLEVELAND AVE. ASHLAND, OHIO 44805	PHONE: 419-207-9400 FAX: 419-207-8031
	TITLE <b>K4VL NON-CLOG SEWAGE PUMP OUTLINE</b>	
SCALE NTS	DWG. # KN-10	REV. -
DWG. BY F. YUHASZ	DATE 9/14/08	

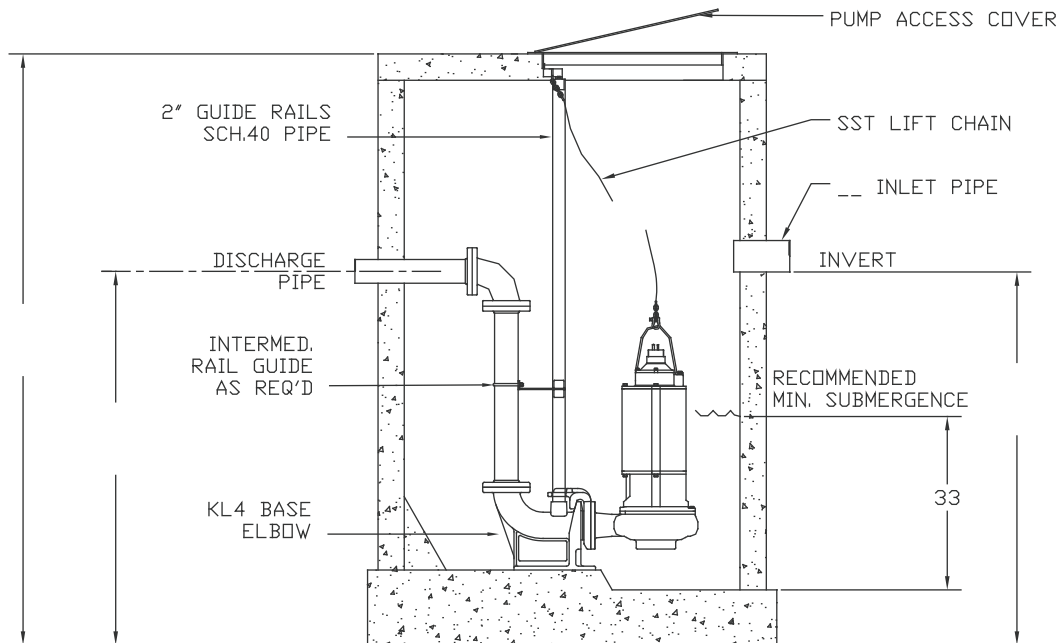
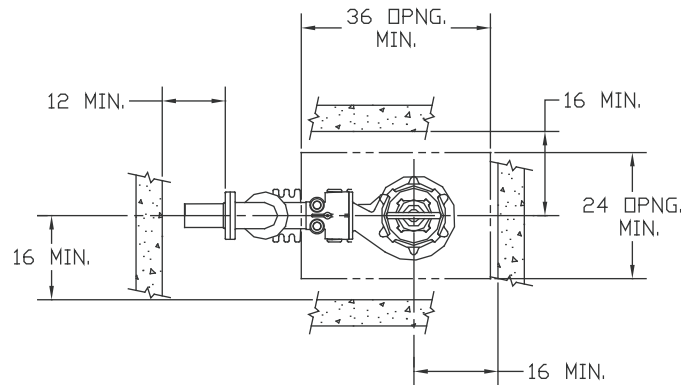


Pump Series

**K4VL**

4" SUBMERSIBLE SEWAGE PUMPS

**SIMPLEX INSTALLATION DIMENSIONAL DATA**



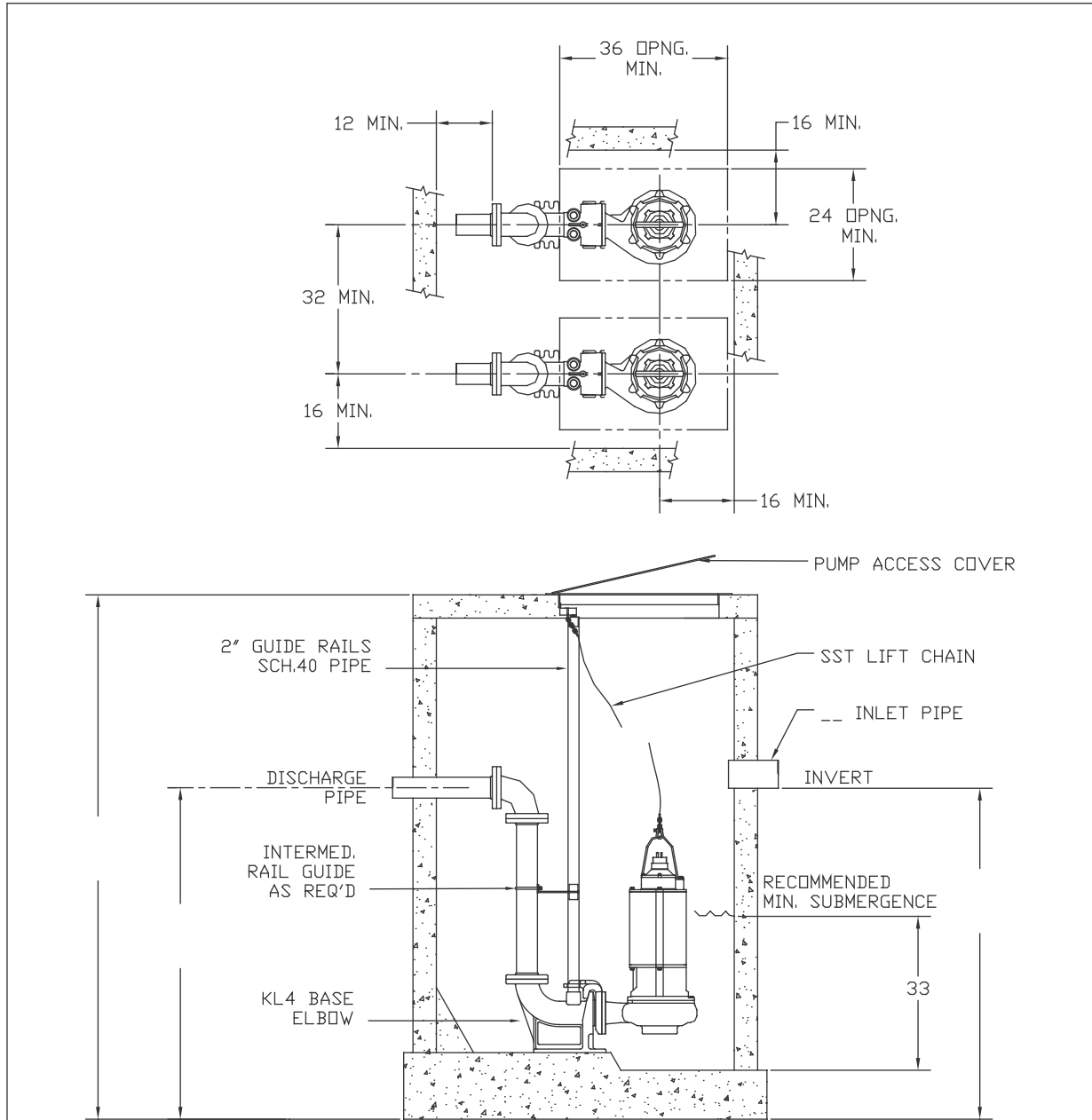
Notes:

1. All dimensions in inches unless noted.
2. Refer to pump dimension and liftout dimension sheets for more details.
3. Recommended minimum submergence levels noted.
4. Discharge base elbow must be placed above sump bottom as noted.
5. Dimensions may vary due to normal manufacturing tolerances.
6. If discharge pipe is larger than discharge elbow, eccentric reducer must be used limited to 2X larger maximum.



Pump Series	<b>K4VL</b>	4" SUBMERSIBLE SEWAGE PUMPS
-------------	-------------	-----------------------------

**DUPLEX INSTALLATION DIMENSIONAL DATA**



Notes:

1. All dimensions in inches unless noted.
2. Refer to pump dimension and liftout dimension sheets for more details.
3. Recommended minimum submergence levels noted.
4. Discharge base elbow must be placed above sump bottom as noted.
5. Dimensions may vary due to normal manufacturing tolerances.
6. If discharge pipe is larger than discharge elbow, eccentric reducer must be used limited to 2X larger maximum.

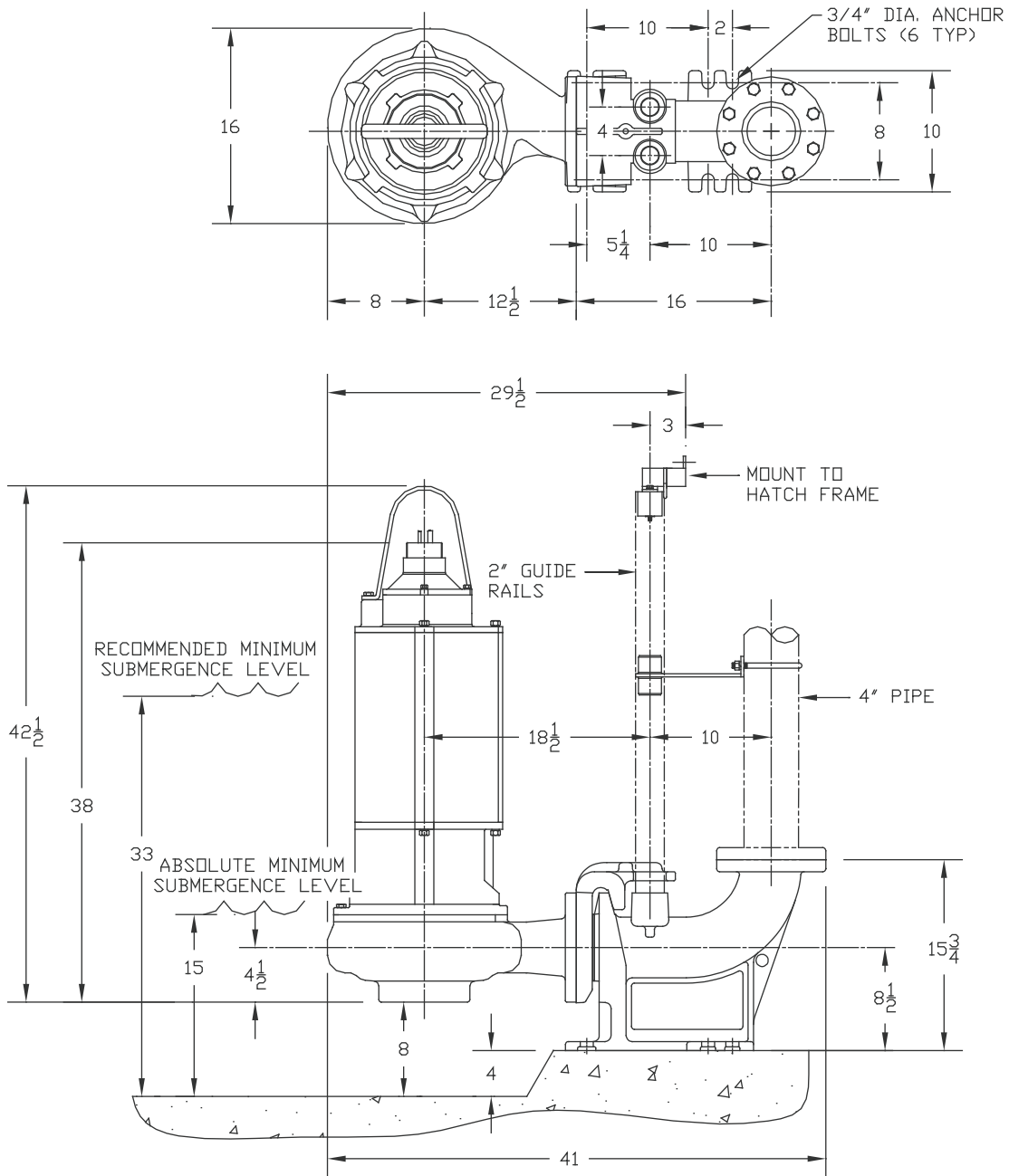


Pump Series

**K4VL**

4" SUBMERSIBLE SEWAGE PUMPS

**LIFTOUT DIMENSIONAL DATA**



Notes:

1. All dimensions in inches unless noted.
2. Discharge flange 150 Lb. ANSI unless noted.
3. Absolute minimum and recommended minimum submergence levels noted.
4. Discharge base elbow must be placed above sump bottom as noted.
5. Dimensions may vary due to normal manufacturing tolerances.
6. If discharge pipe is larger than discharge elbow, eccentric reducer must be used limited to 2X larger maximum.