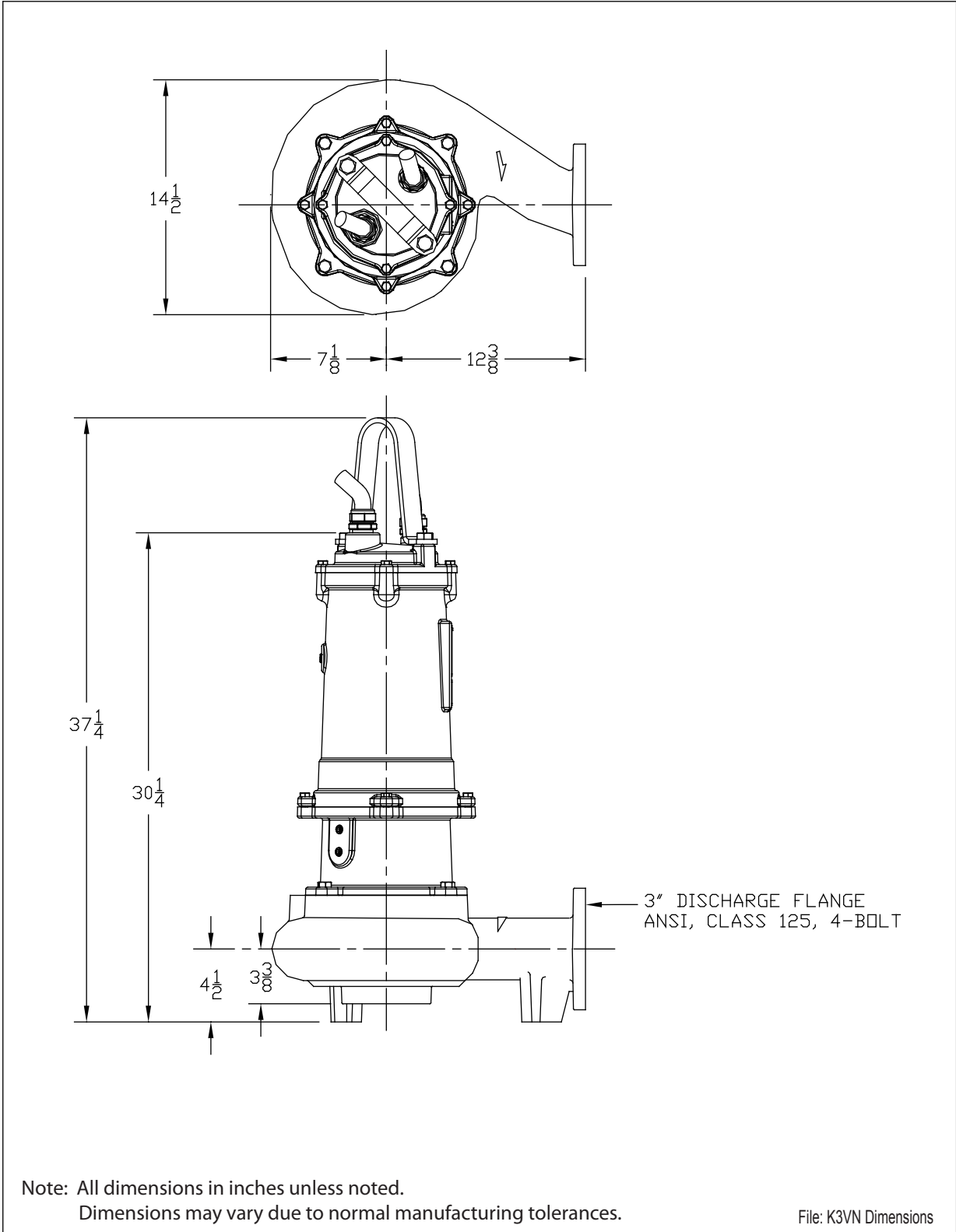
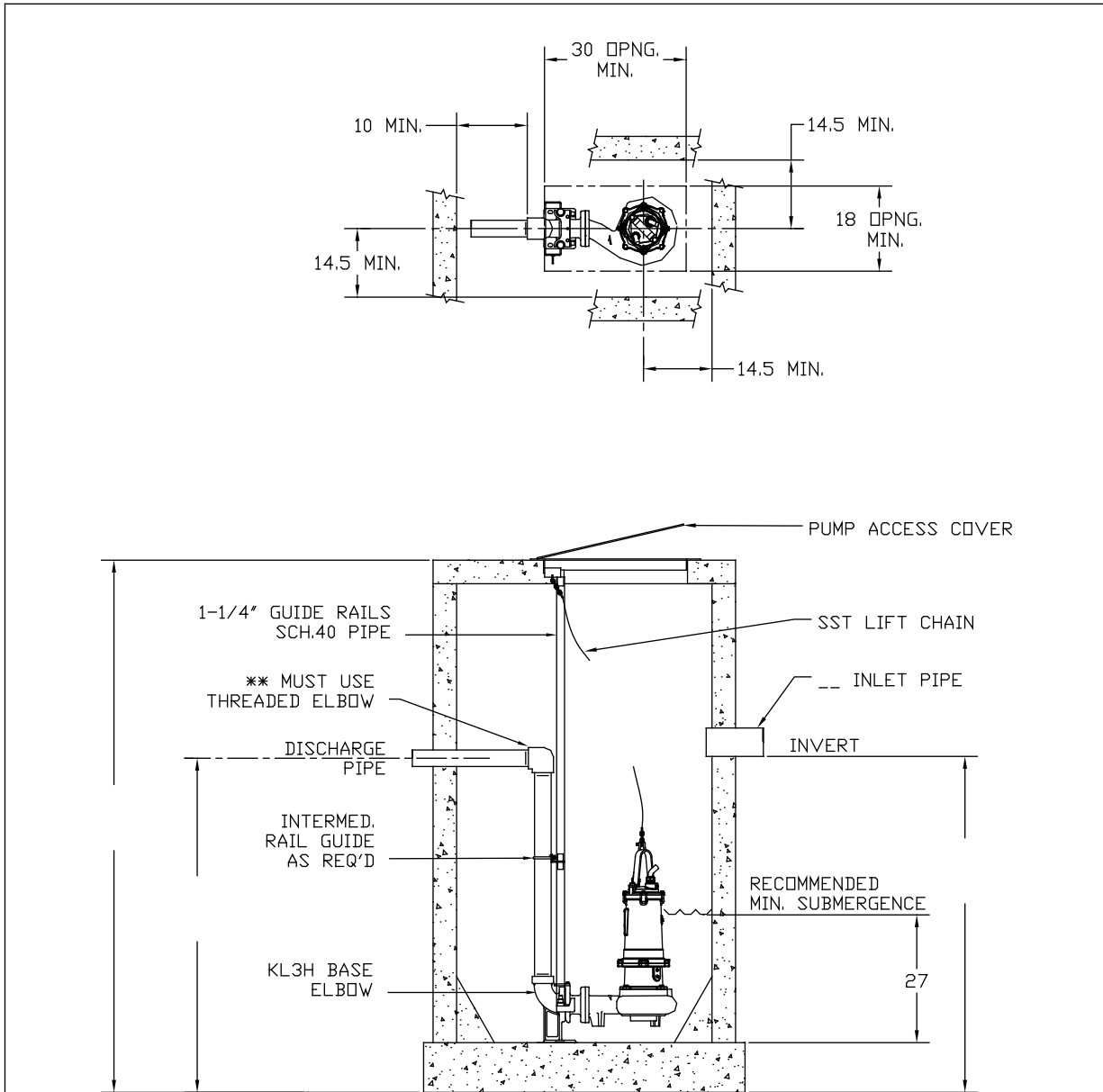


Pump Series	K3VN	3" SUBMERSIBLE SEWAGE PUMPS
DIMENSIONAL DATA		



Pump Series	K3VN	3" SUBMERSIBLE SEWAGE PUMPS
SIMPLEX INSTALLATION DIMENSIONAL DATA		



Notes:

1. All dimensions in inches unless noted.
2. Refer to pump dimension and liftout dimension sheets for more details.
3. Recommended minimum submergence levels noted.
4. Discharge base elbow must be placed above sump bottom as noted.
5. Dimensions may vary due to normal manufacturing tolerances.
6. If discharge pipe is larger than discharge elbow, eccentric reducer must be used limited to 2X larger maximum.

Pump Series	K3VN	3" SUBMERSIBLE SEWAGE PUMPS
DUPLEX INSTALLATION DIMENSIONAL DATA		

