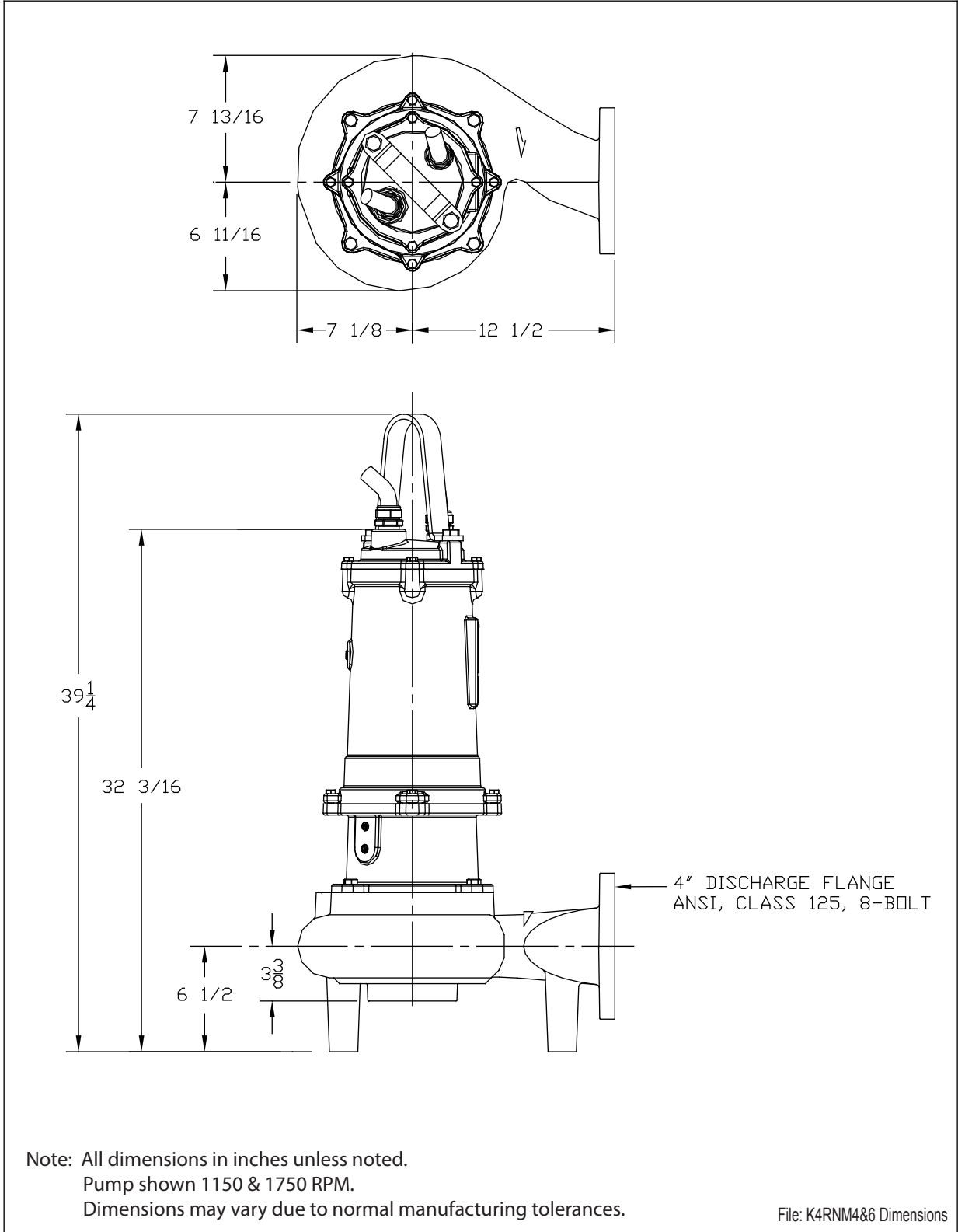


Pump Series	K4RN	4" SUBMERSIBLE SEWAGE PUMPS
DIMENSIONAL DATA		



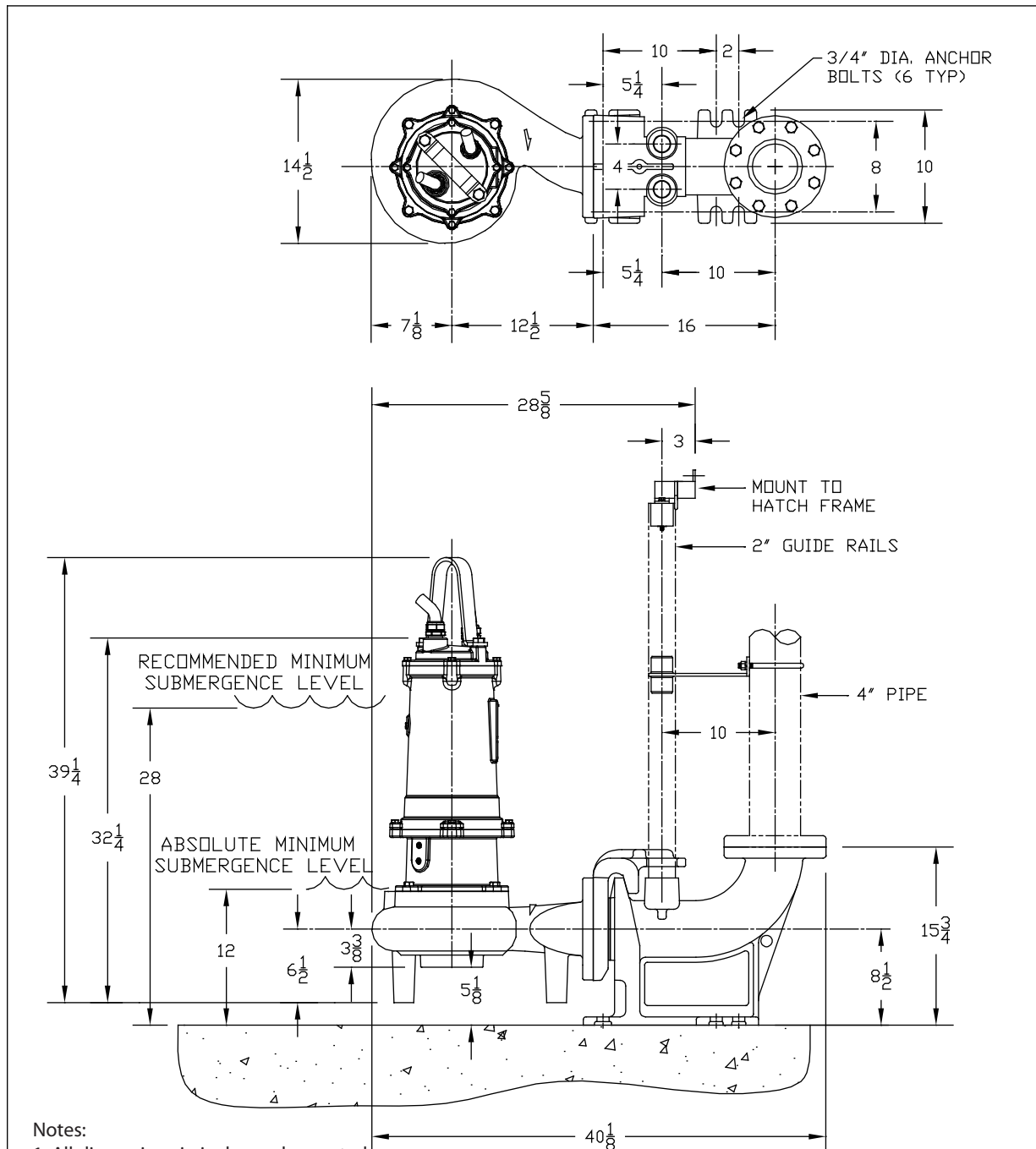
Note: All dimensions in inches unless noted.
 Pump shown 1150 & 1750 RPM.
 Dimensions may vary due to normal manufacturing tolerances.

Pump Series

K4RN

4" SUBMERSIBLE SEWAGE PUMPS

LIFTOUT DIMENSIONAL DATA

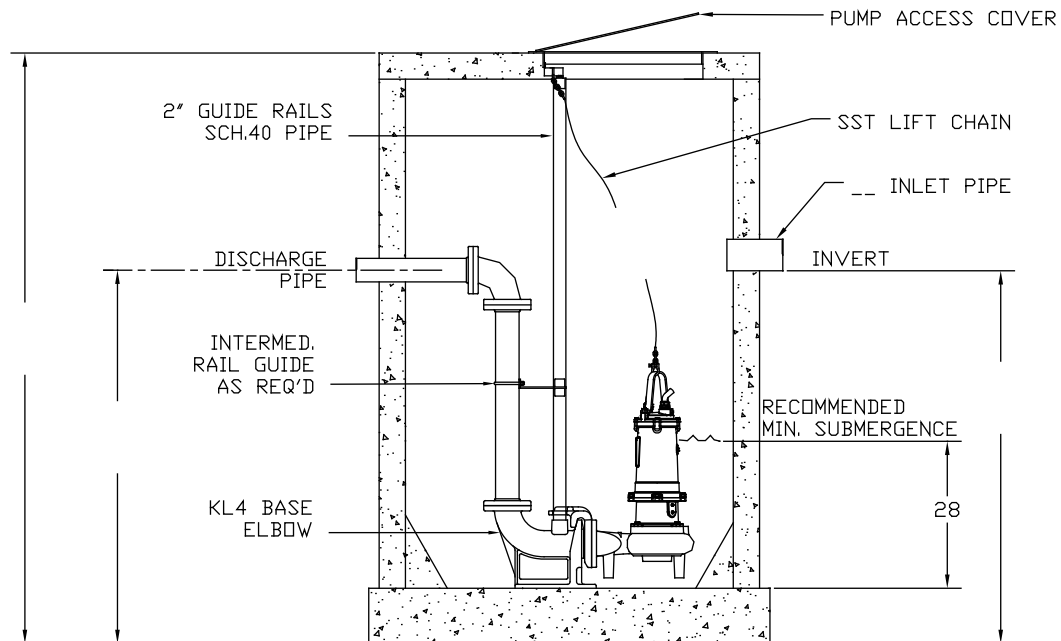
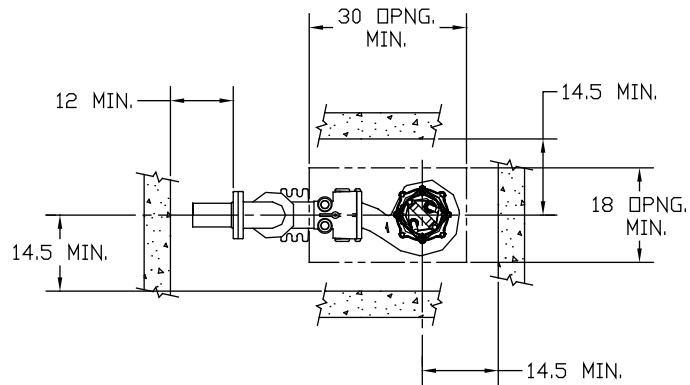


Pump Series

K4RN

4" SUBMERSIBLE SEWAGE PUMPS

SIMPLEX INSTALLATION DIMENSIONAL DATA



Notes:

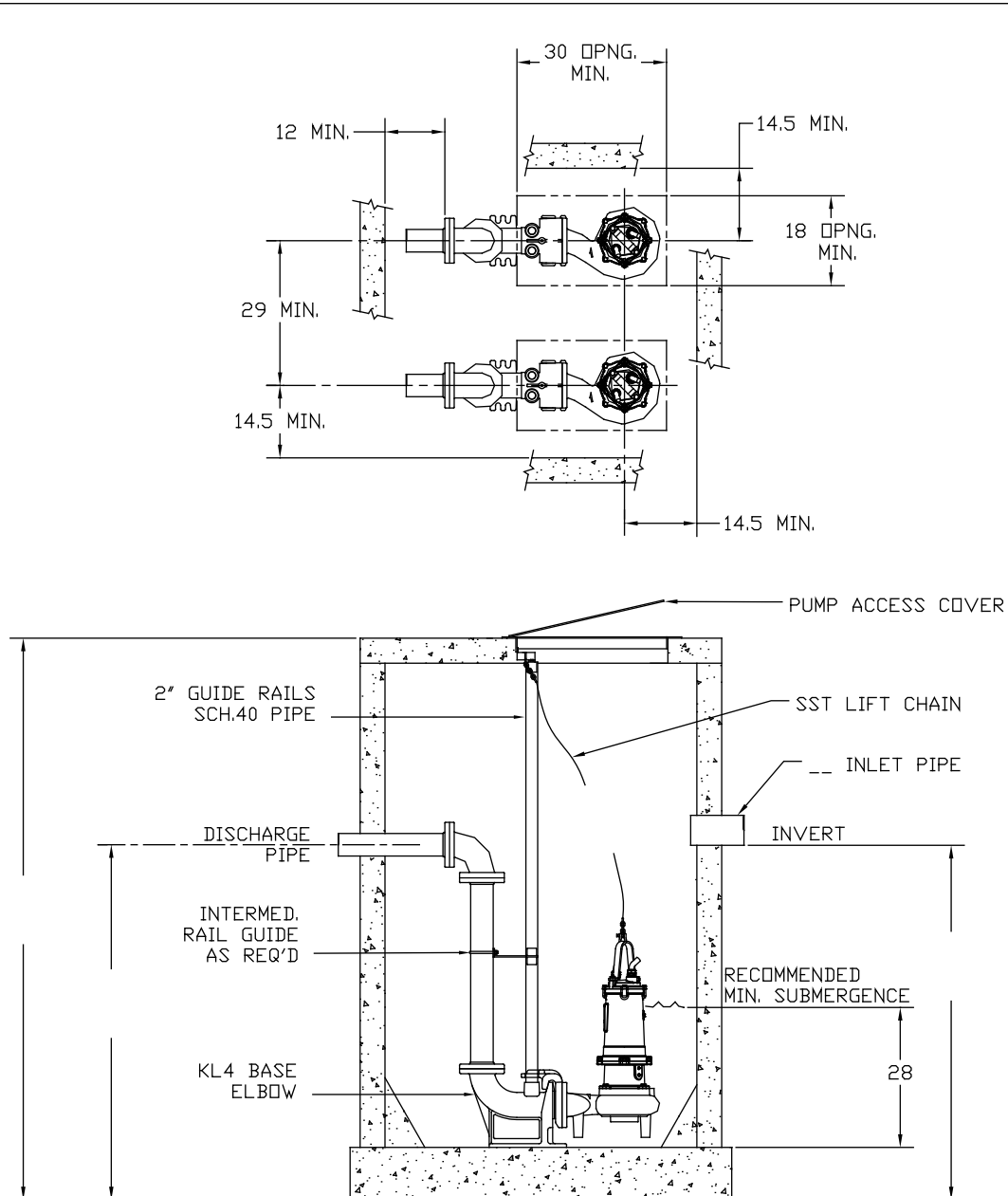
1. All dimensions in inches unless noted.
2. Pump shown 1150 & 1750 RPM.
3. Refer to pump dimension and liftout dimension sheets for more details.
4. Recommended minimum submergence levels noted.
5. Discharge base elbow must be placed above sump bottom as noted.
6. Dimensions may vary due to normal manufacturing tolerances.
7. If discharge pipe is larger than discharge elbow, eccentric reducer must be used limited to 2X larger maximum.

Pump Series

K4RN

4" SUBMERSIBLE SEWAGE PUMPS

DUPLEX INSTALLATION DIMENSIONAL DATA



Notes:

1. All dimensions in inches unless noted.
2. Pump shown 1150 & 1750 RPM.
3. Refer to pump dimension and liftout dimension sheets for more details.
4. Recommended minimum submergence levels noted.
5. Discharge base elbow must be placed above sump bottom as noted.
6. Dimensions may vary due to normal manufacturing tolerances.
7. If discharge pipe is larger than discharge elbow, eccentric reducer must be used limited to 2X larger maximum.