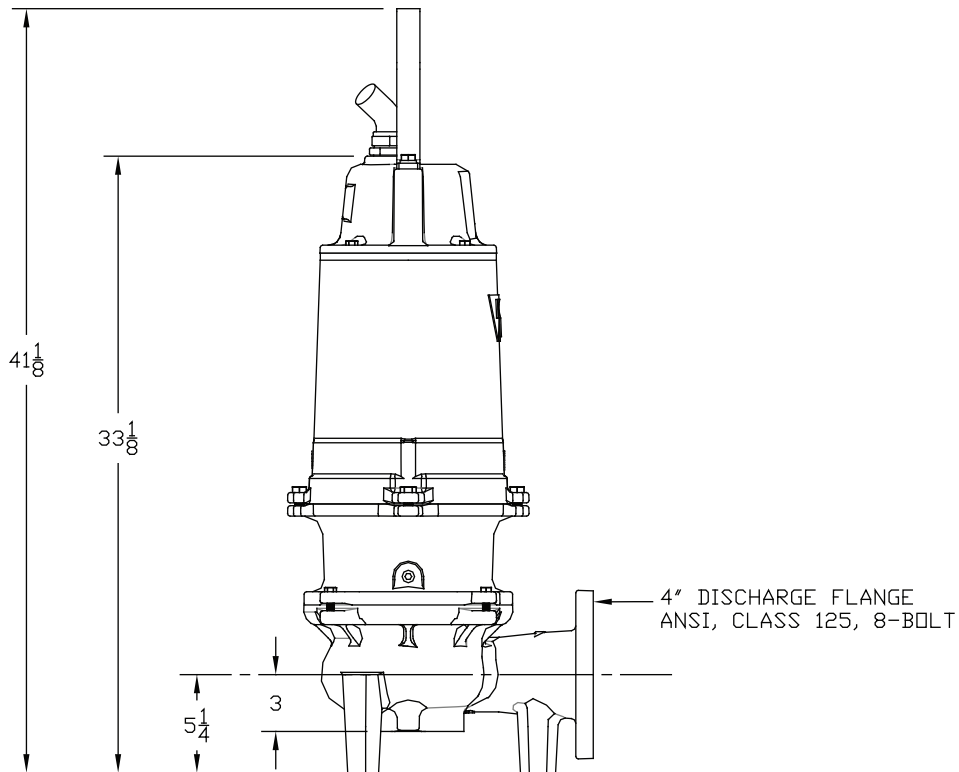
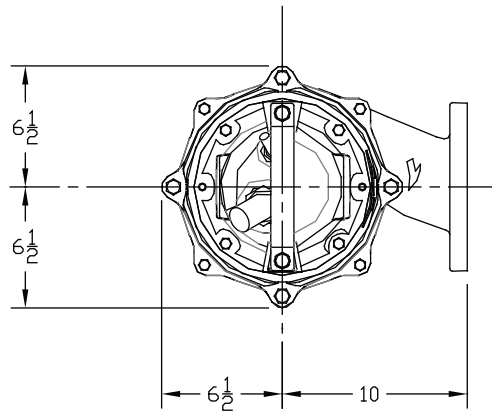


Pump Series

K4RP (3450)

4" SUBMERSIBLE SEWAGE PUMPS

DIMENSIONAL DATA



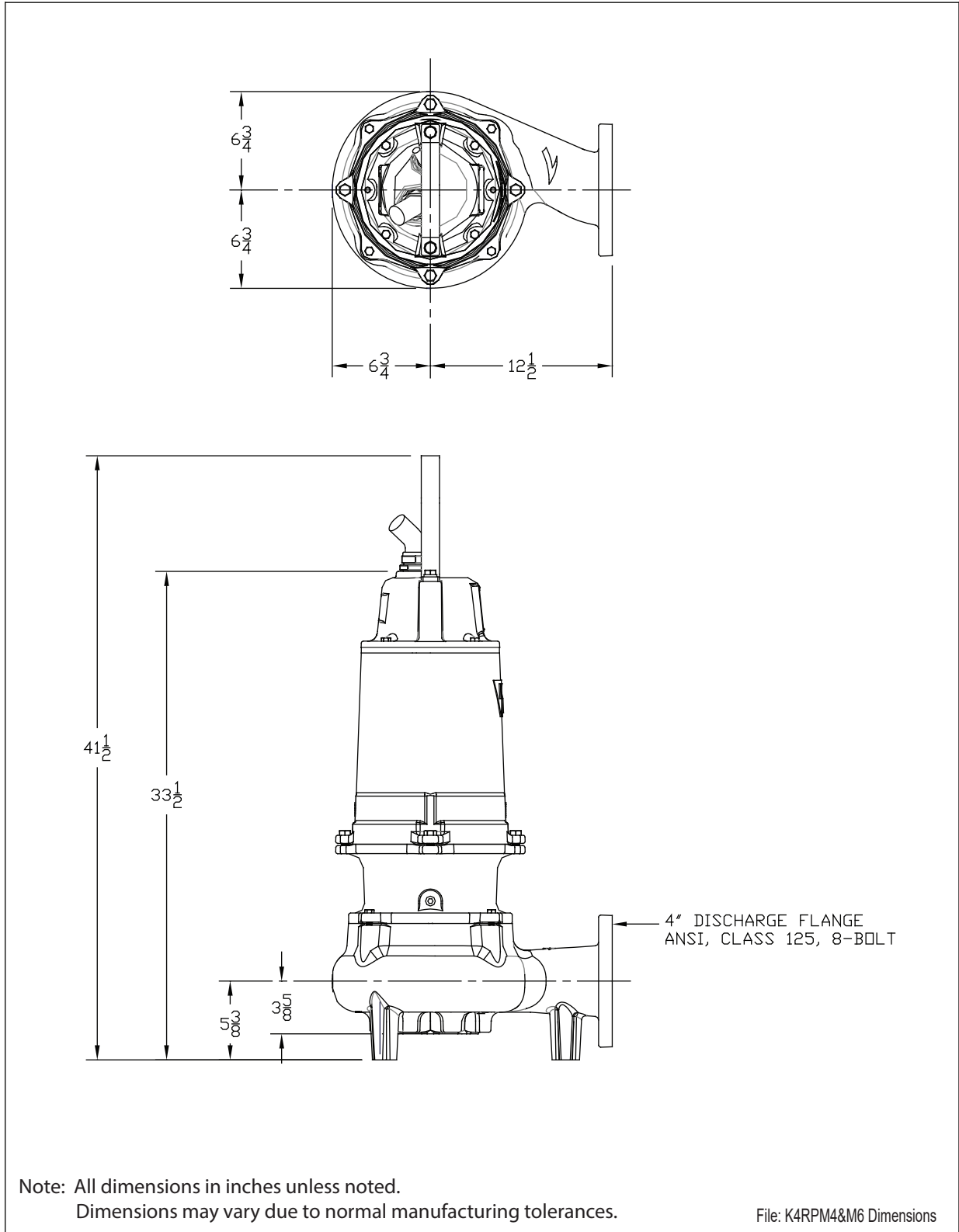
Note: All dimensions in inches unless noted.
 Dimensions may vary due to normal manufacturing tolerances.

Pump Series

K4RP (1150 & 1750)

4" SUBMERSIBLE SEWAGE PUMPS

DIMENSIONAL DATA



Note: All dimensions in inches unless noted.
 Dimensions may vary due to normal manufacturing tolerances.

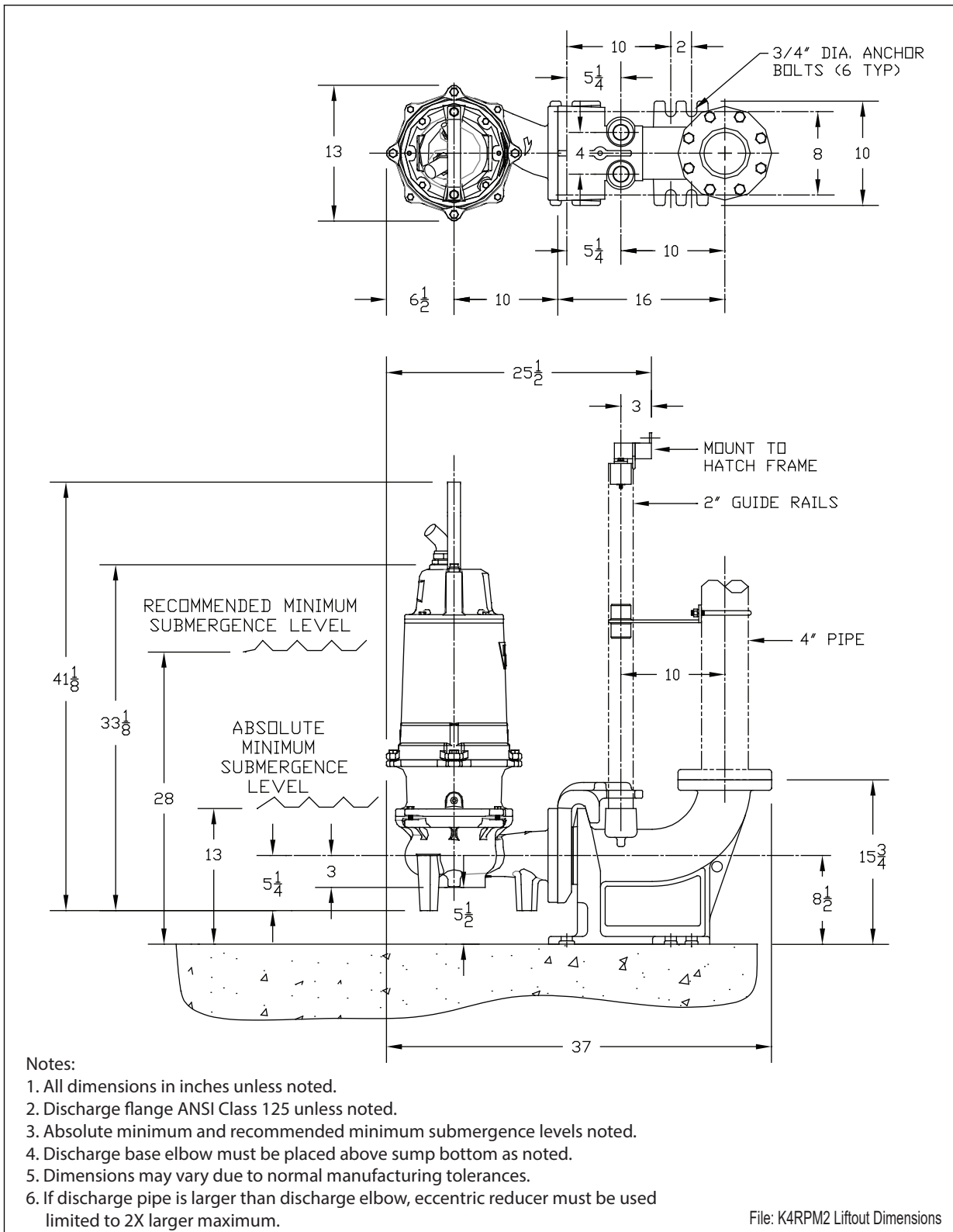
File: K4RPM4&M6 Dimensions

Pump Series

K4RP (3450)

4" SUBMERSIBLE SEWAGE PUMPS

LIFTOUT DIMENSIONAL DATA

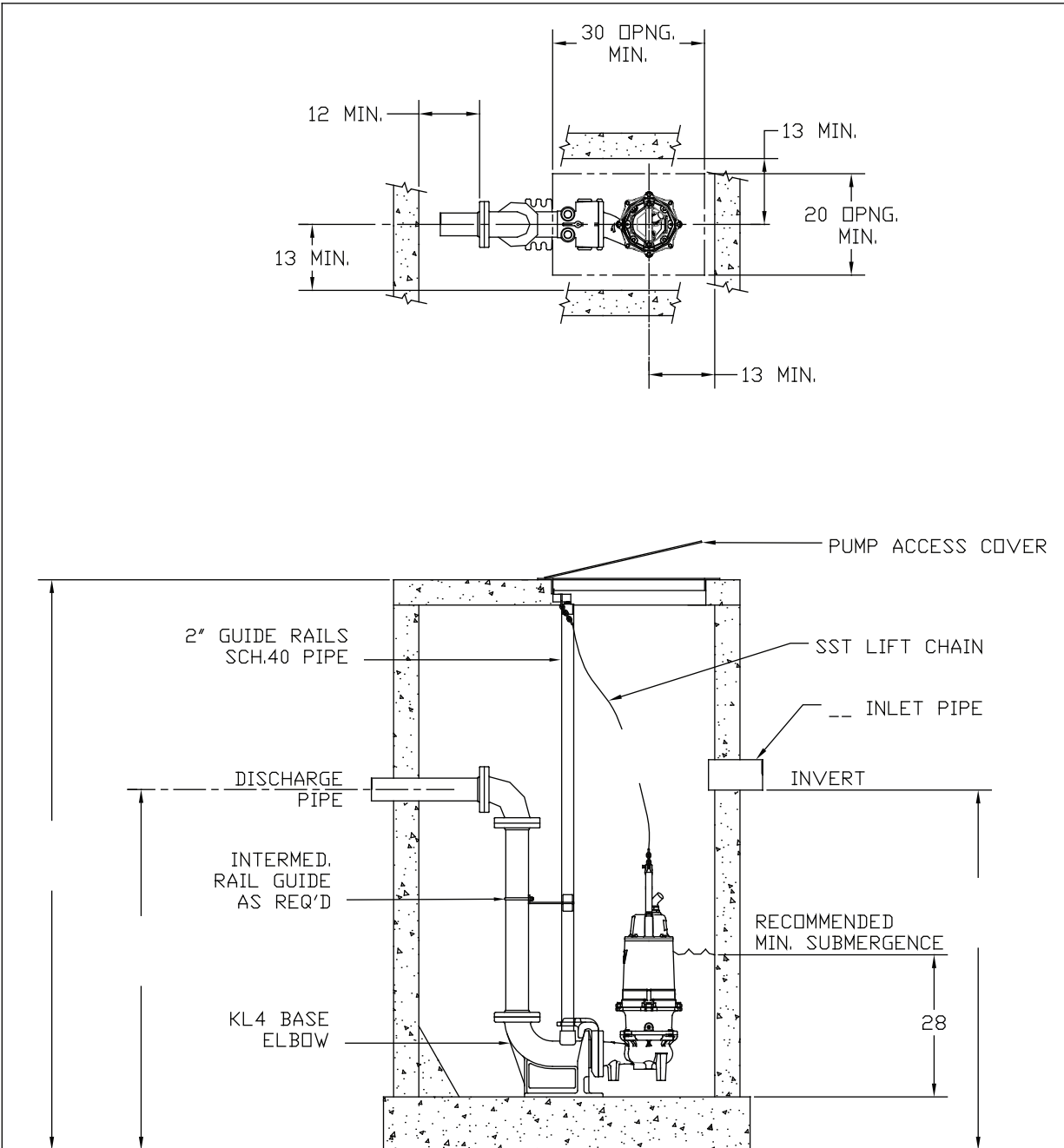


Pump Series

K4RP (3450)

4" SUBMERSIBLE SEWAGE PUMPS

SIMPLEX INSTALLATION DIMENSIONAL DATA



Notes:

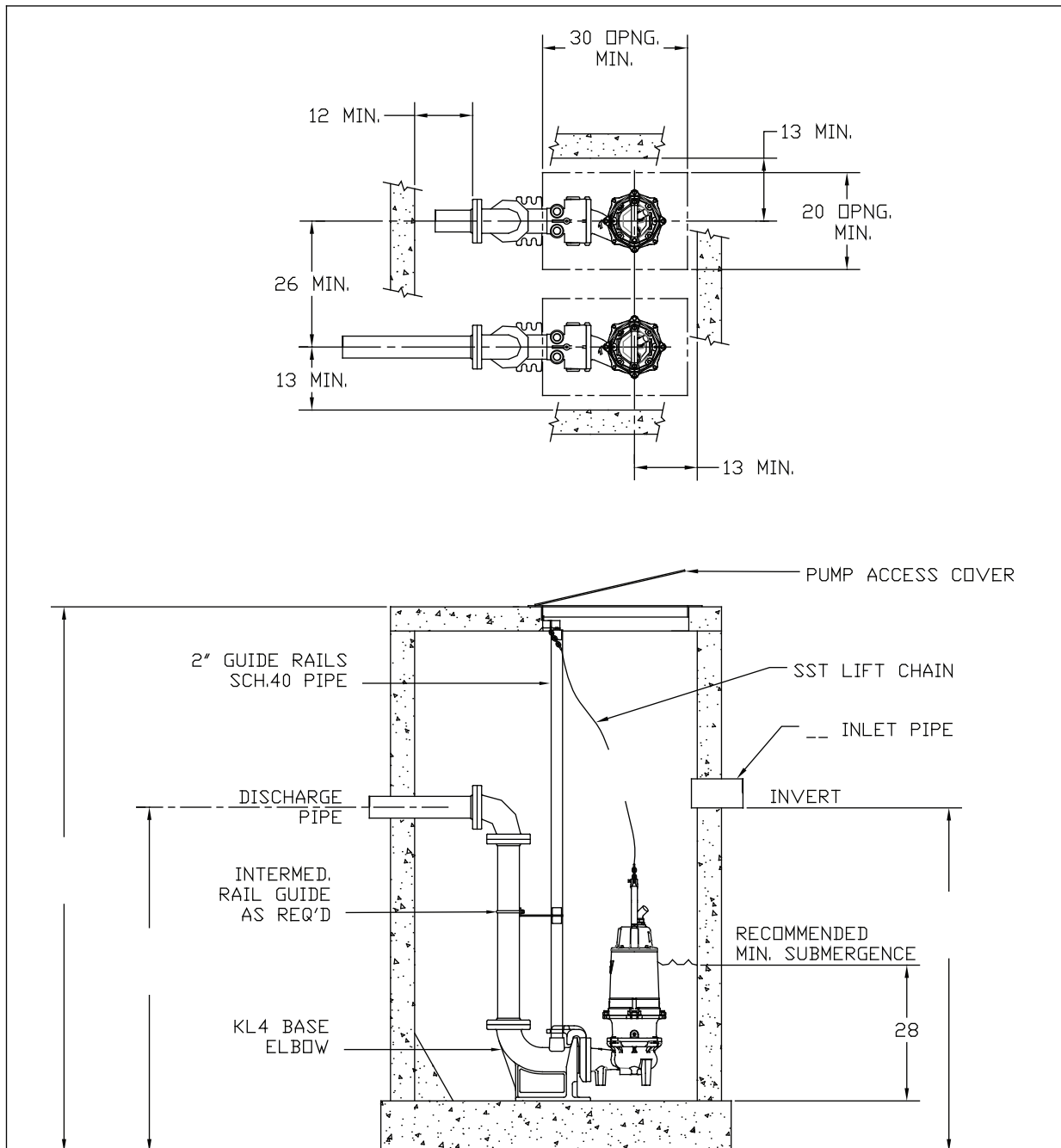
1. All dimensions in inches unless noted.
2. Refer to pump dimension and liftout dimension sheets for more details.
3. Recommended minimum submergence levels noted.
4. Discharge base elbow must be placed above sump bottom as noted.
5. Dimensions may vary due to normal manufacturing tolerances.
6. If discharge pipe is larger than discharge elbow, eccentric reducer must be used limited to 2X larger maximum.

Pump Series

K4RP (3450)

4" SUBMERSIBLE SEWAGE PUMPS

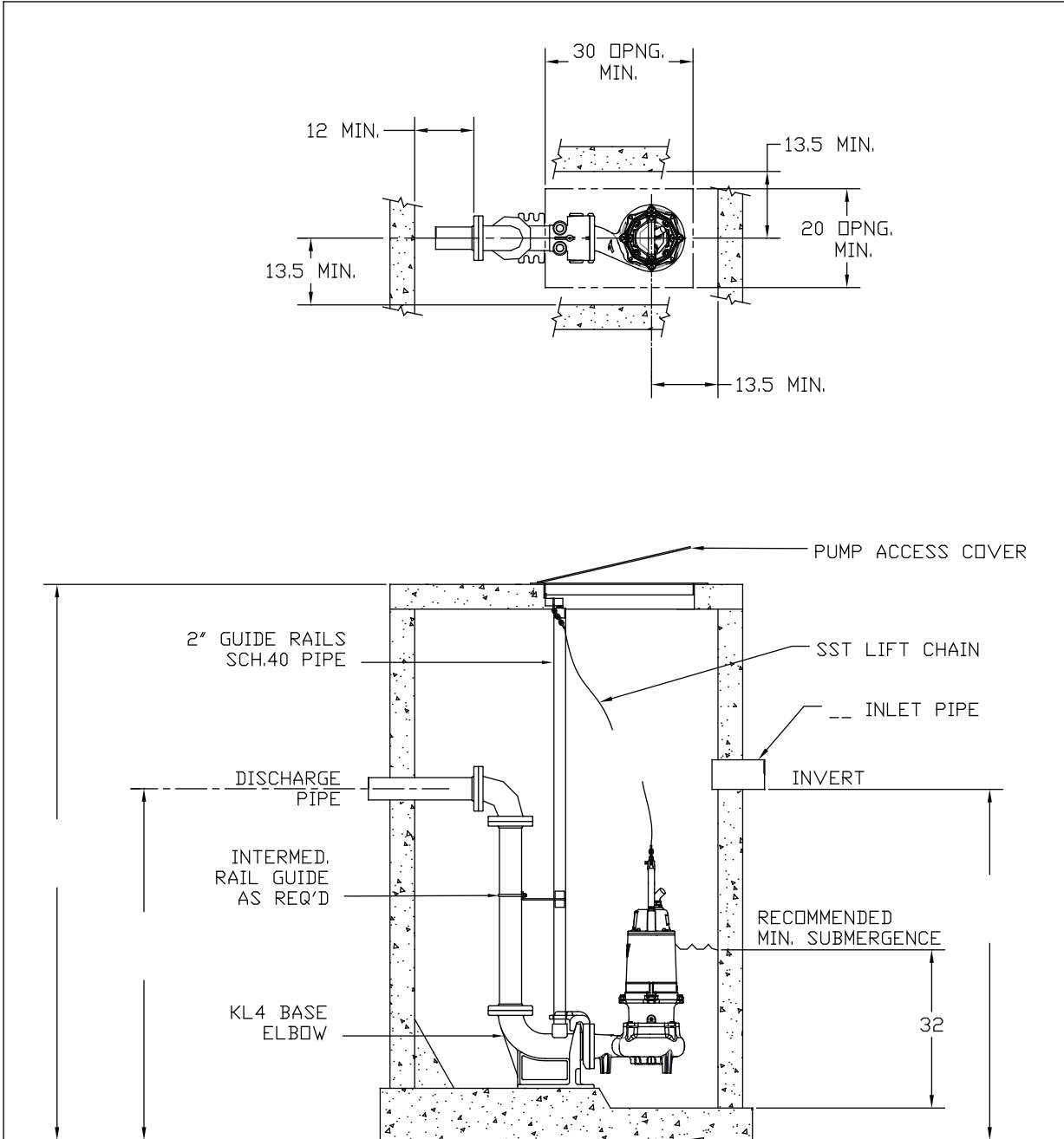
DUPLEX INSTALLATION DIMENSIONAL DATA



Notes:

1. All dimensions in inches unless noted.
2. Refer to pump dimension and liftout dimension sheets for more details.
3. Recommended minimum submergence levels noted.
4. Discharge base elbow must be placed above sump bottom as noted.
5. Dimensions may vary due to normal manufacturing tolerances.
6. If discharge pipe is larger than discharge elbow, eccentric reducer must be used limited to 2X larger maximum.

Pump Series	K4RP (1150 & 1750)	4" SUBMERSIBLE SEWAGE PUMPS
SIMPLEX INSTALLATION DIMENSIONAL DATA		



Notes:

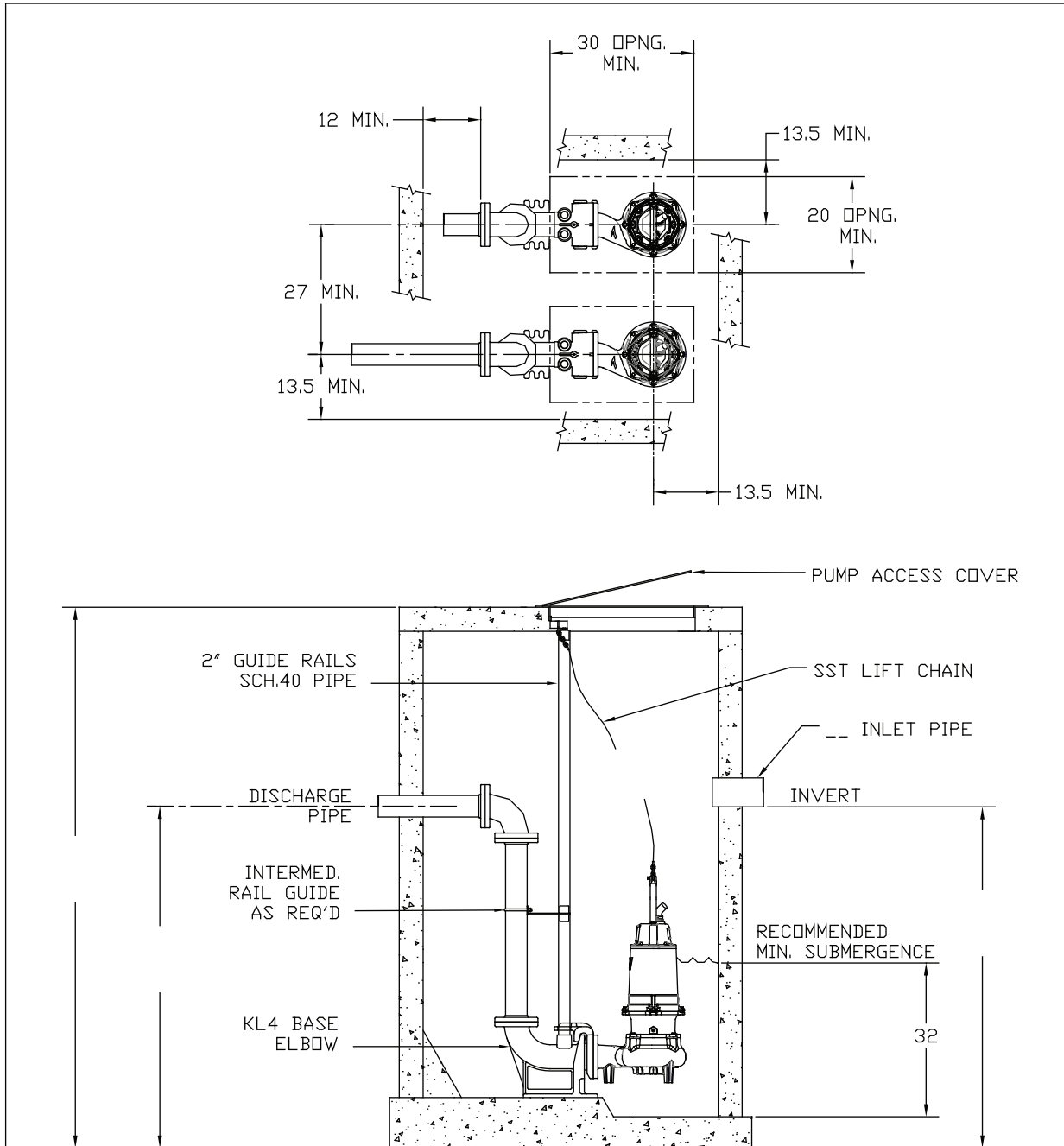
1. All dimensions in inches unless noted.
2. Refer to pump dimension and liftout dimension sheets for more details.
3. Recommended minimum submergence levels noted.
4. Discharge base elbow must be placed above sump bottom as noted.
5. Dimensions may vary due to normal manufacturing tolerances.
6. If discharge pipe is larger than discharge elbow, eccentric reducer must be used limited to 2X larger maximum.

Pump Series

K4RP (1150 & 1750)

4" SUBMERSIBLE SEWAGE PUMPS

DUPLEX INSTALLATION DIMENSIONAL DATA



Notes:

1. All dimensions in inches unless noted.
2. Refer to pump dimension and liftout dimension sheets for more details.
3. Recommended minimum submergence levels noted.
4. Discharge base elbow must be placed above sump bottom as noted.
5. Dimensions may vary due to normal manufacturing tolerances.
6. If discharge pipe is larger than discharge elbow, eccentric reducer must be used limited to 2X larger maximum.