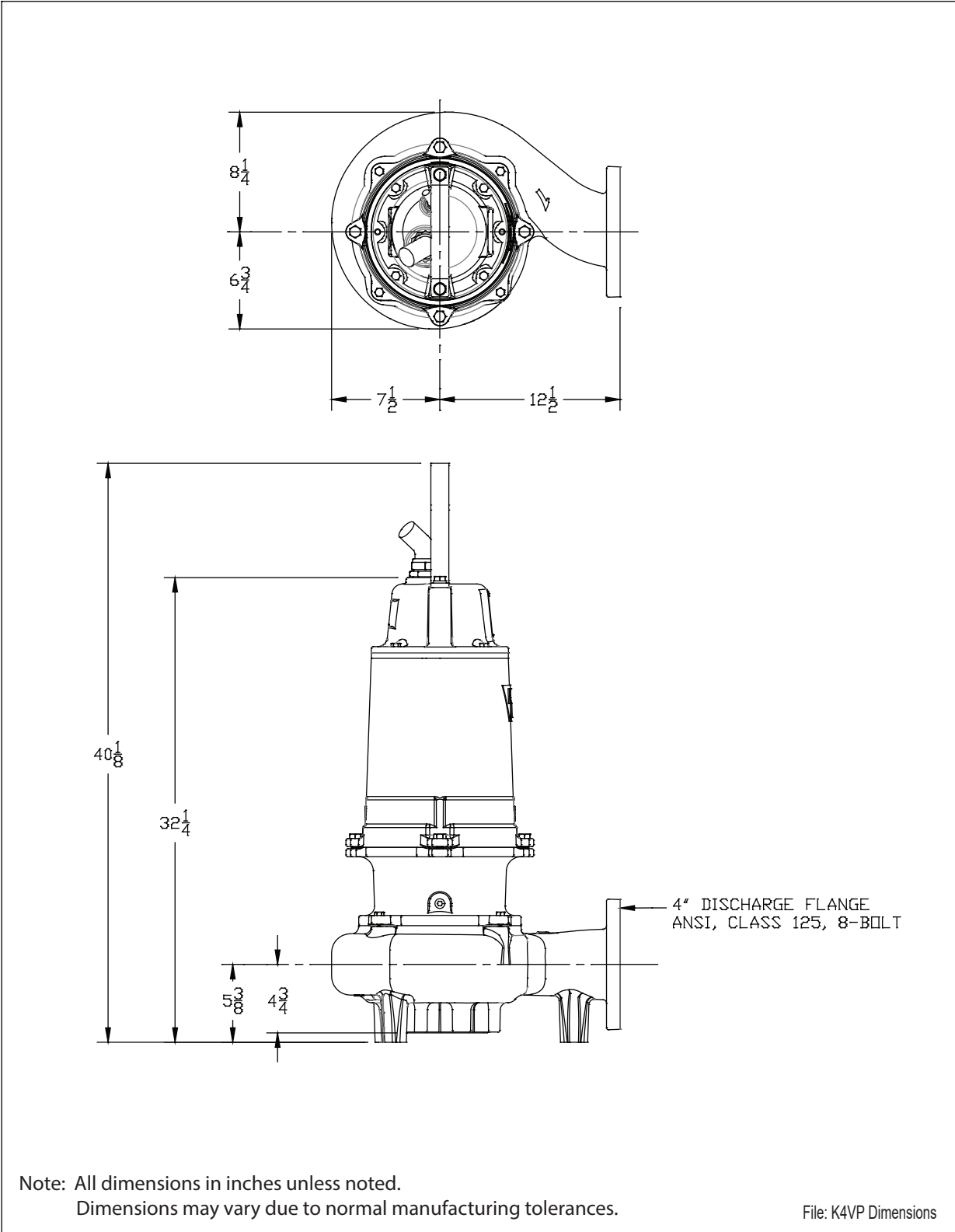


Pump Series	K4VP	4" SUBMERSIBLE SEWAGE PUMPS
DIMENSIONAL DATA		



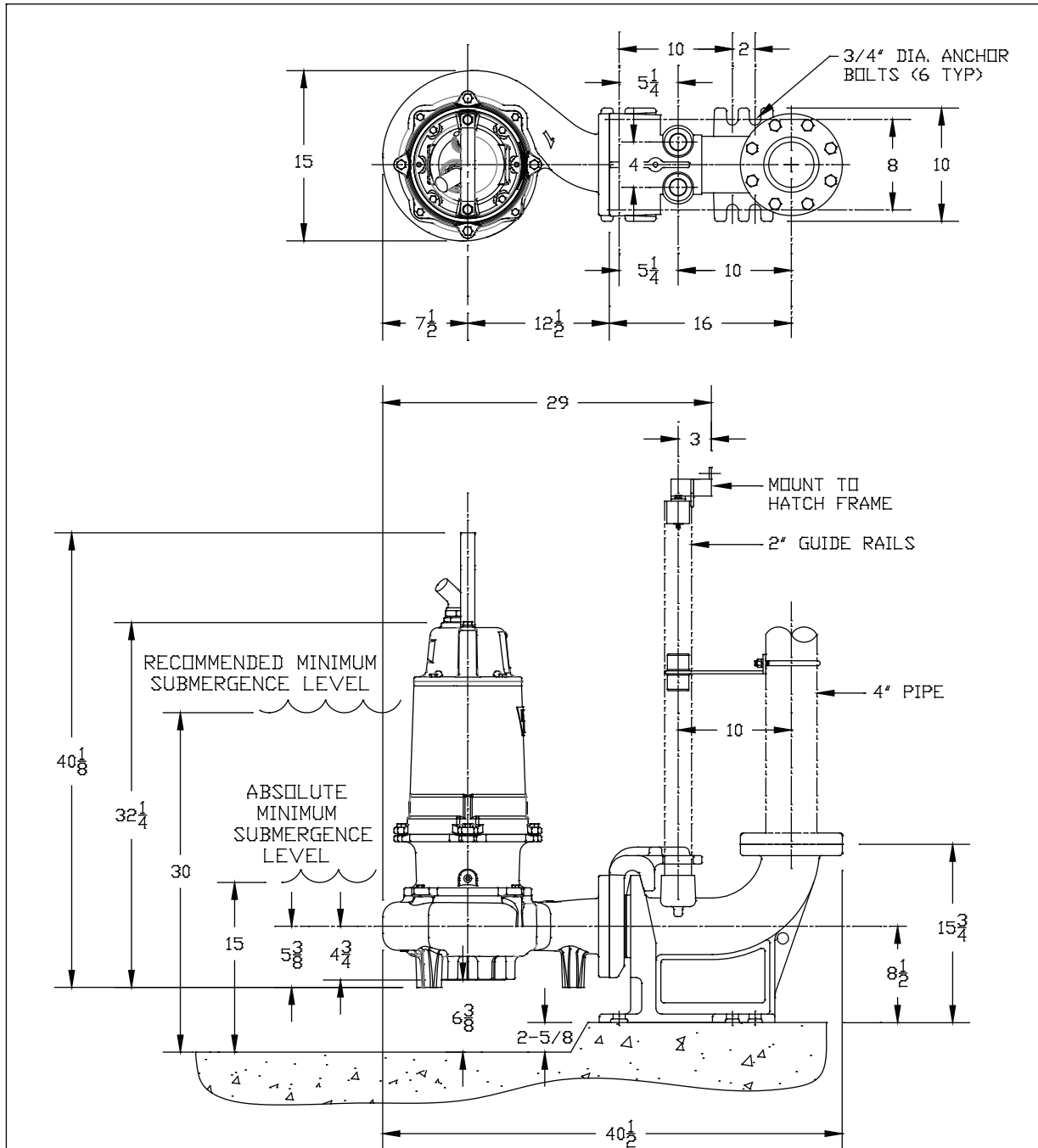
Note: All dimensions in inches unless noted.
 Dimensions may vary due to normal manufacturing tolerances.

Pump Series

K4VP

4" SUBMERSIBLE SEWAGE PUMPS

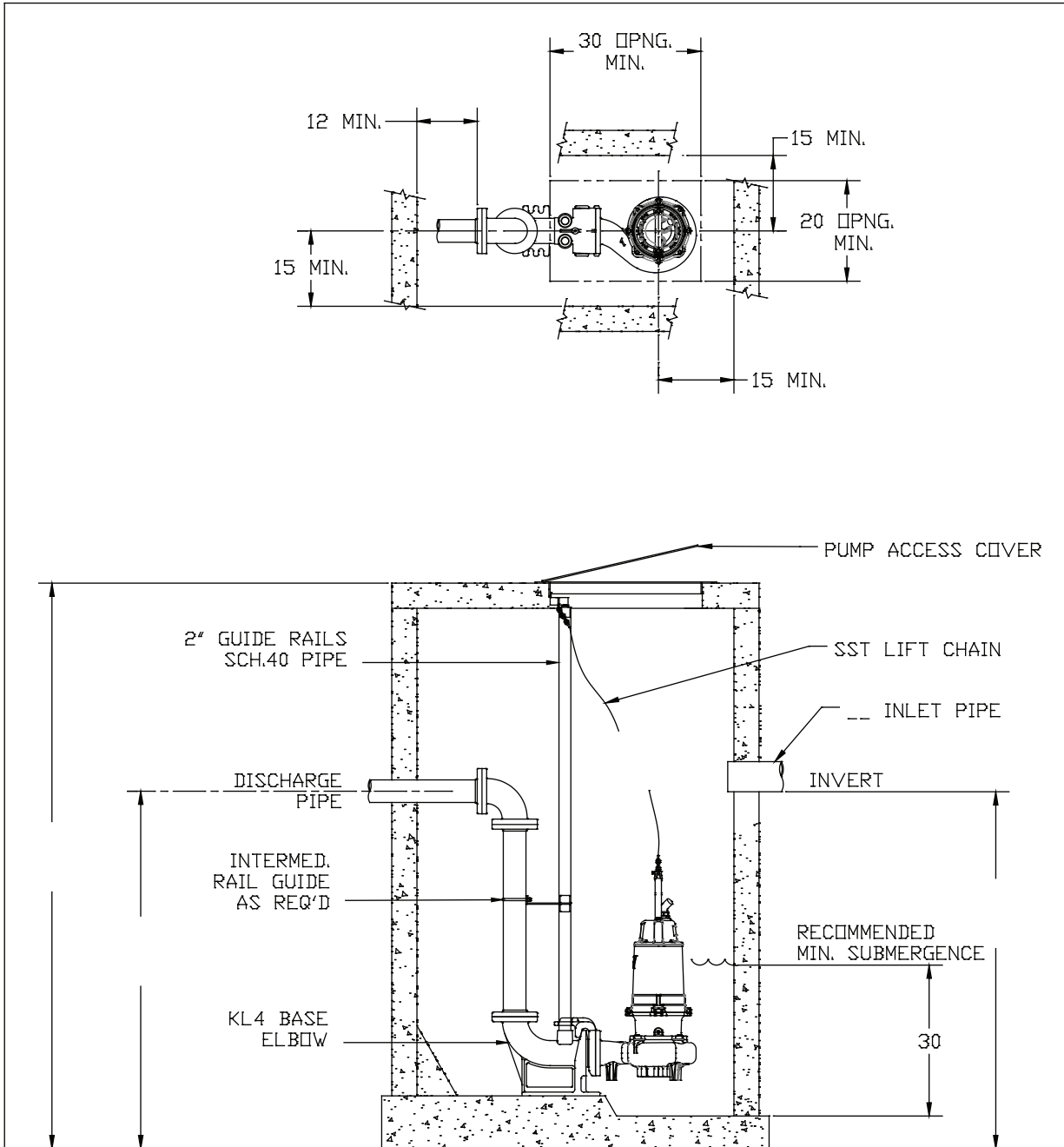
LIFTOUT DIMENSIONAL DATA



Notes:

1. All dimensions in inches unless noted.
2. Discharge flange ANSI Class 125 unless noted.
3. Absolute minimum and recommended minimum submergence levels noted.
4. Discharge base elbow must be placed above sump bottom as noted.
5. Dimensions may vary due to normal manufacturing tolerances.
6. If discharge pipe is larger than discharge elbow, eccentric reducer must be used limited to 2X larger maximum.

Pump Series	K4VP	4" SUBMERSIBLE SEWAGE PUMPS
SIMPLEX INSTALLATION DIMENSIONAL DATA		



Notes:

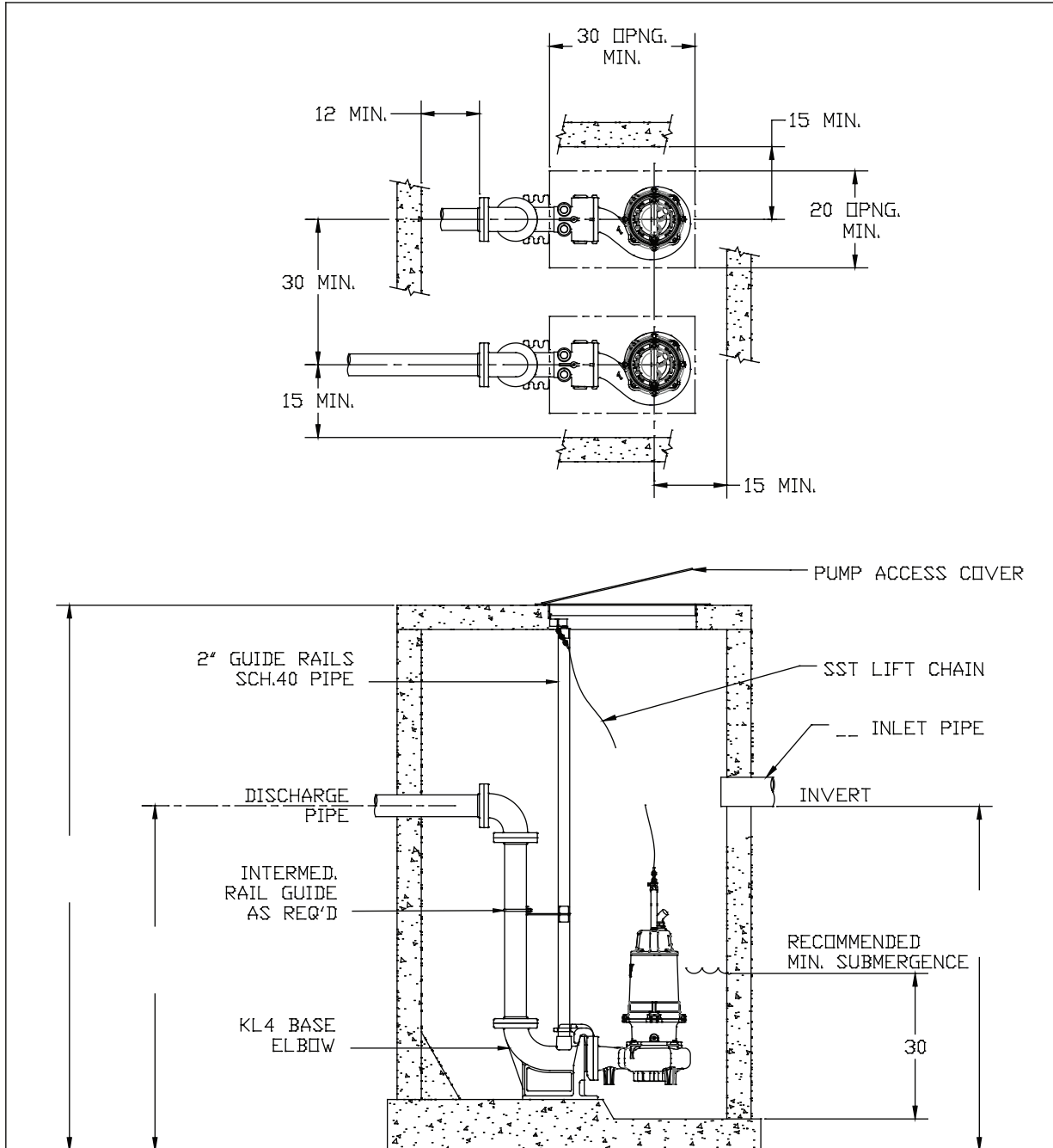
1. All dimensions in inches unless noted.
2. Refer to pump dimension and liftout dimension sheets for more details.
3. Recommended minimum submergence levels noted.
4. Discharge base elbow must be placed above sump bottom as noted.
5. Dimensions may vary due to normal manufacturing tolerances.
6. If discharge pipe is larger than discharge elbow, eccentric reducer must be used limited to 2X larger maximum.

Pump Series

K4VP

4" SUBMERSIBLE SEWAGE PUMPS

DUPLEX INSTALLATION DIMENSIONAL DATA



Notes:

1. All dimensions in inches unless noted.
2. Refer to pump dimension and liftout dimension sheets for more details.
3. Recommended minimum submergence levels noted.
4. Discharge base elbow must be placed above sump bottom as noted.
5. Dimensions may vary due to normal manufacturing tolerances.
6. If discharge pipe is larger than discharge elbow, eccentric reducer must be used limited to 2X larger maximum.